



US009465120B1

(12) **United States Patent**
Bellinger et al.

(10) **Patent No.:** **US 9,465,120 B1**
(45) **Date of Patent:** **Oct. 11, 2016**

(54) **APPARATUS AND METHOD FOR THE DETERMINATION OF ONE OR MORE NEUTRON SOURCE CHARACTERISTICS**

(71) Applicants: **Kansas State University Research Foundation**, Manhattan, KS (US); **The Curators of the University of Missouri**, Columbia, MO (US)

(72) Inventors: **Steven L. Bellinger**, Manhattan, KS (US); **Simon Bolding**, Garden City, KS (US); **Anthony N. Caruso**, Overland Park, KS (US); **Brian Cooper**, Manhattan, KS (US); **Joseph A. Crow**, Raytown, MO (US); **James Currie**, Kansas City, MO (US); **Ryan G. Fronk**, Manhattan, KS (US); **Cory B. Hoshor**, Kansas City, MO (US); **Douglas S. McGregor**, Riley, KS (US); **William H. Miller**, Rocheport, MO (US); **Eliot R Myers**, Kansas City, MO (US); **Thomas M. Oakes**, Albuquerque, NM (US); **Brent J. Rogers**, Columbia, MO (US); **John K. Shultis**, Manhattan, KS (US); **Philip B. Ugorowski**, Manhattan, KS (US); **Stephen M. Young**, Columbia, MO (US)

(*) Notice: Subject to any disclaimer, the term of this patent is extended or adjusted under 35 U.S.C. 154(b) by 0 days.

(21) Appl. No.: **14/544,924**

(22) Filed: **Mar. 5, 2015**

Related U.S. Application Data

(63) Continuation-in-part of application No. 13/694,104, filed on Oct. 29, 2012, now Pat. No. 9,081,100.

(60) Provisional application No. 61/966,878, filed on Mar. 5, 2014, provisional application No. 61/198,413, filed on Oct. 27, 2011.

(51) **Int. Cl.**
G01T 3/08 (2006.01)
G01T 3/00 (2006.01)

(52) **U.S. Cl.**
CPC **G01T 3/085** (2013.01); **G01T 3/001** (2013.01)

(58) **Field of Classification Search**
CPC G01T 3/08
See application file for complete search history.

(56) **References Cited**

U.S. PATENT DOCUMENTS

4,593,195 A *	6/1986	Bienfait	G01V 5/107 250/253
2012/0223242 A1 *	9/2012	Brown	G01T 3/008 250/391
2013/0048849 A1 *	2/2013	Li	G01V 5/101 250/269.8

Primary Examiner — David Porta

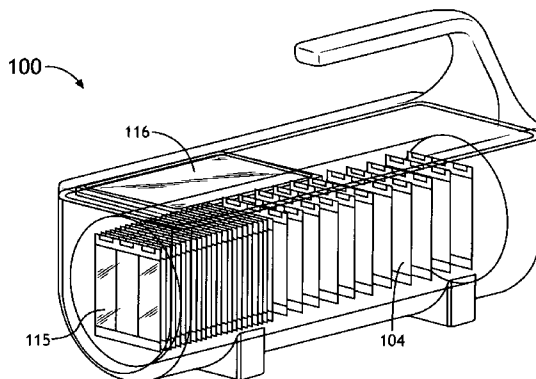
Assistant Examiner — Faye Boosalis

(74) *Attorney, Agent, or Firm* — Suiter Swantz pc llo

(57) **ABSTRACT**

A neutron detection system includes a plurality of neutron detector assemblies, the neutron detector assemblies including a plurality of neutron detection devices, wherein the neutron detection devices are configured to detect one or more characteristics of neutrons emanating from one or more neutron sources and impinging on one or more neutron detection devices; a plurality of discrete moderating elements, wherein each of the discrete moderating elements is disposed proximate to at least one neutron detector assembly, the plurality of neutron detector assemblies and the plurality of discrete moderating elements disposed along a common axis, wherein the discrete moderating elements are configured to moderate the energy of neutrons impinging on one or more of the neutron-photon detector assemblies; and a control system configured to: determine one or more characteristics associated with the one or more neutron sources based on the received one or more measured response signals.

20 Claims, 39 Drawing Sheets



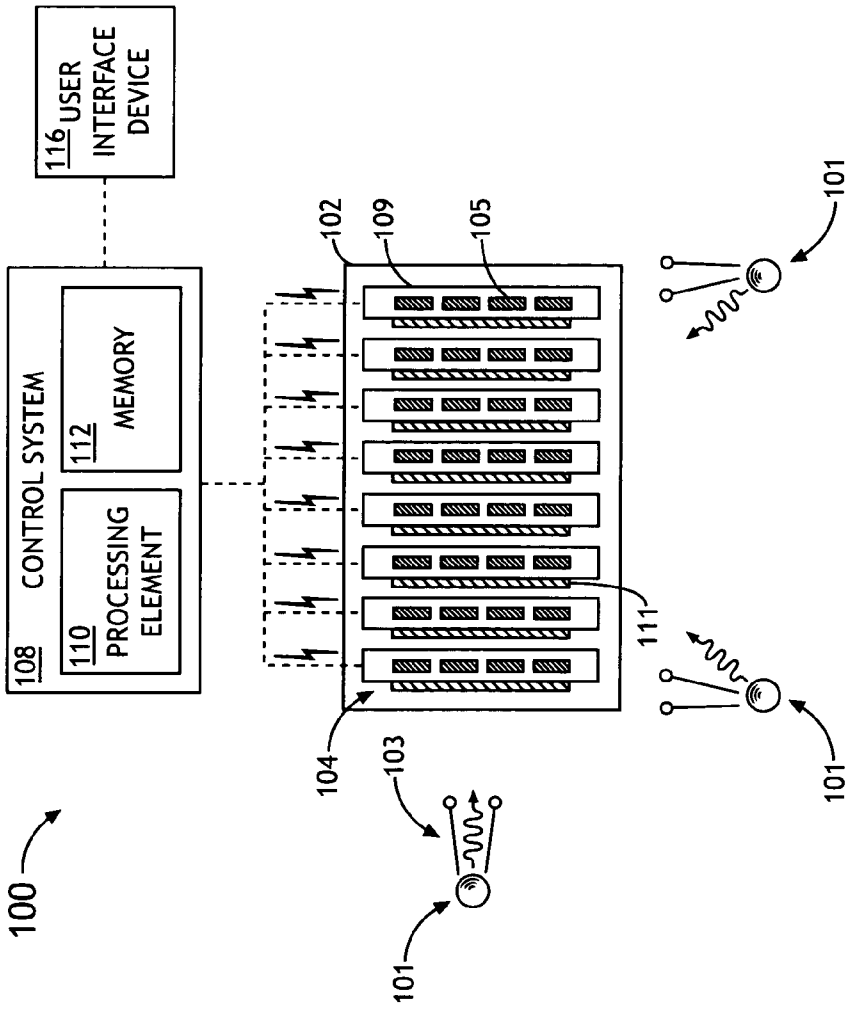


FIG.1A

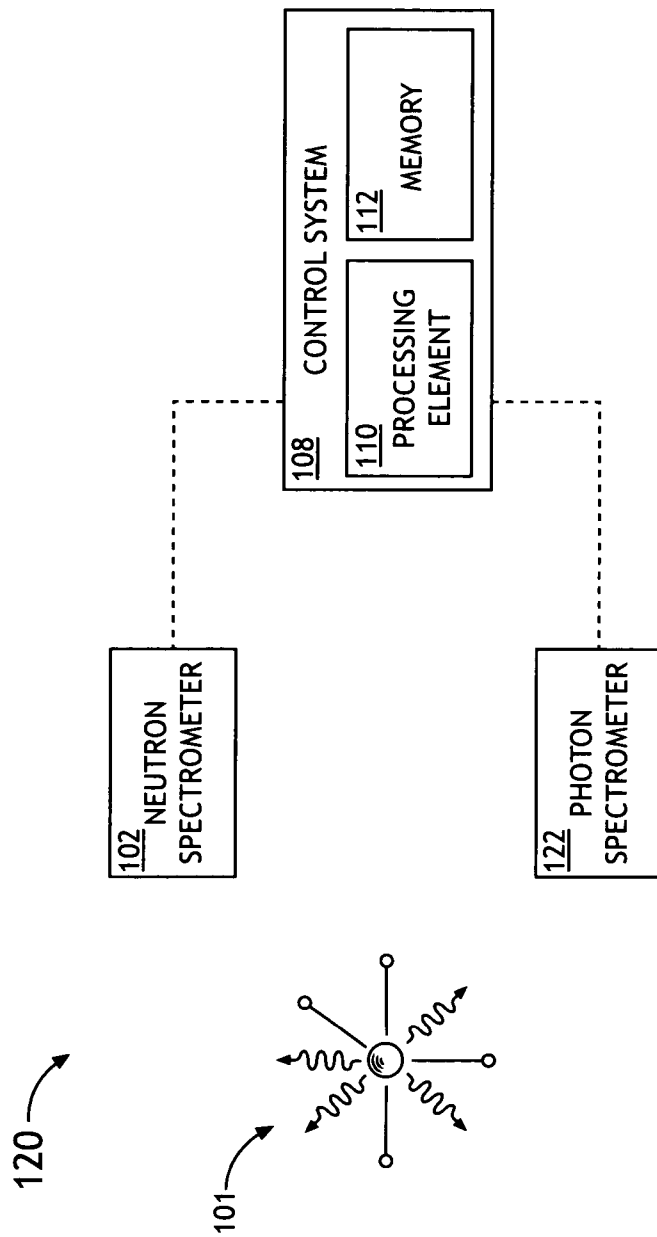


FIG.1B

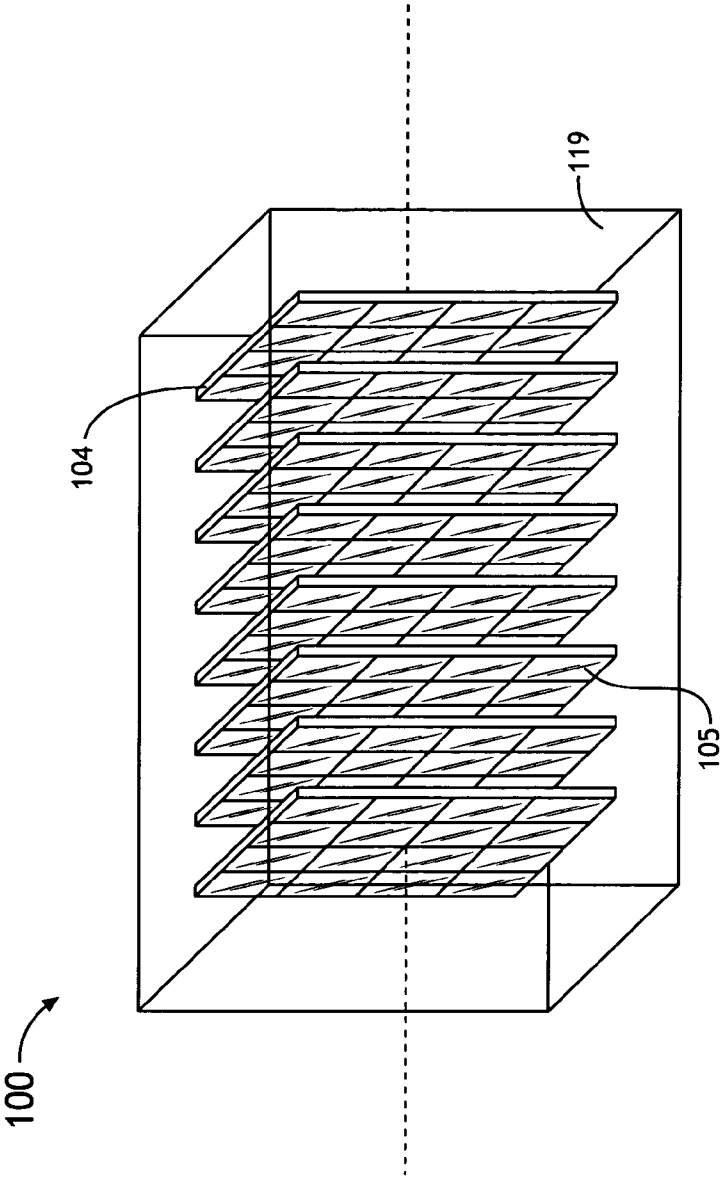


FIG. 1C

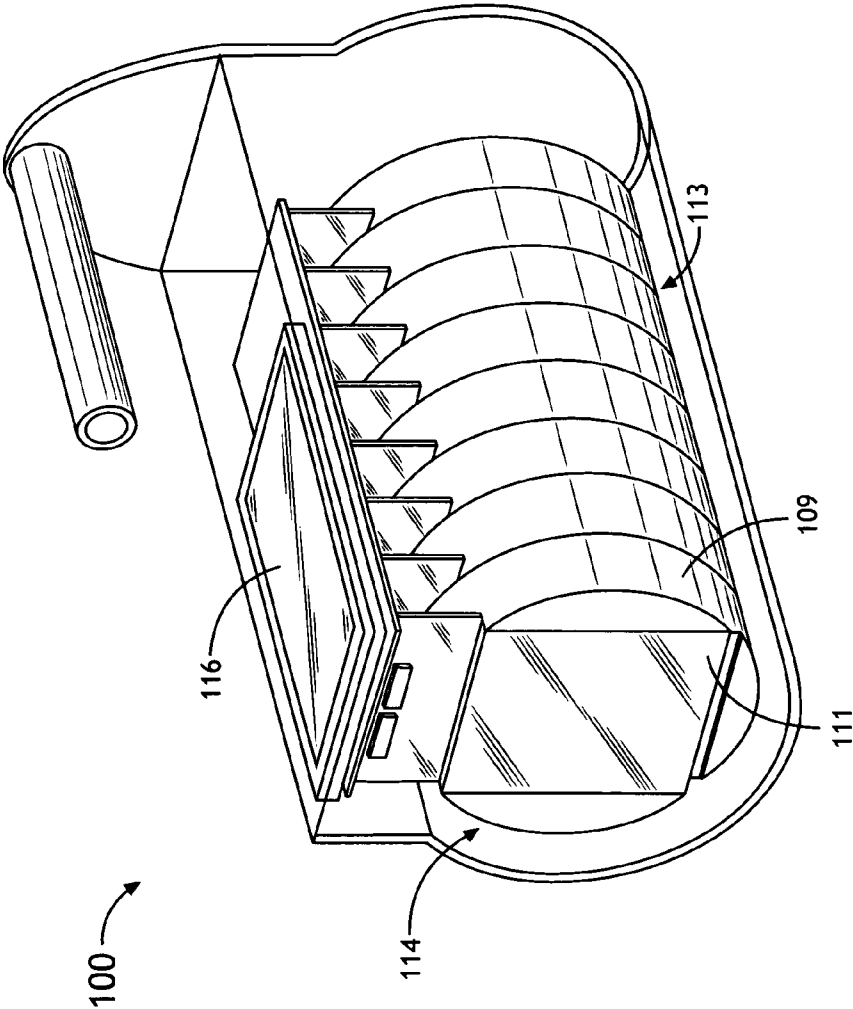


FIG.1D

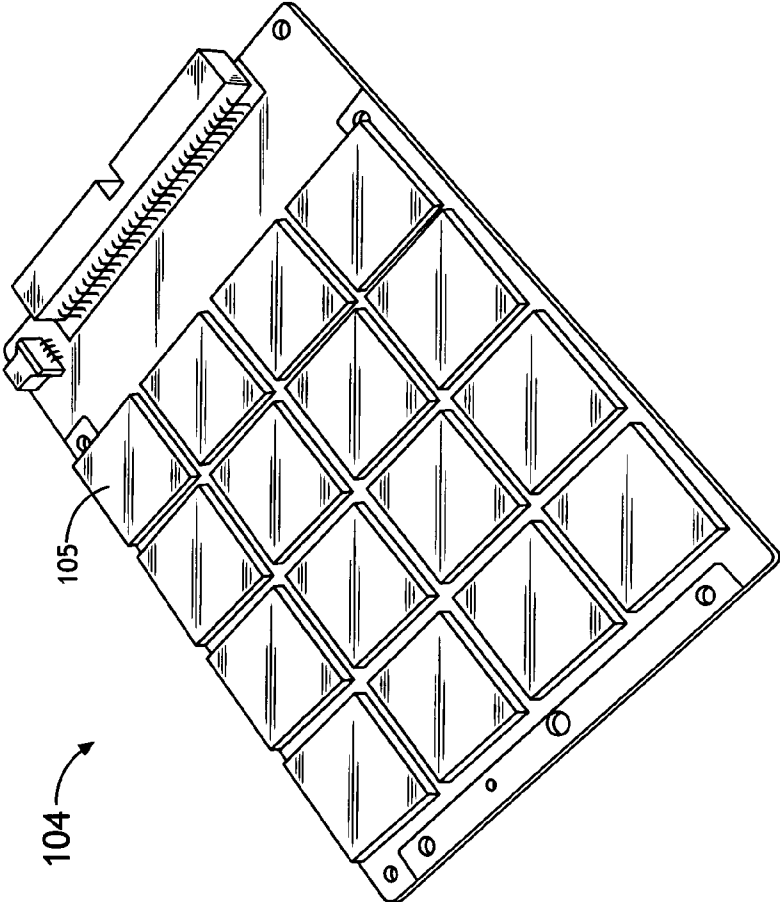


FIG.1E

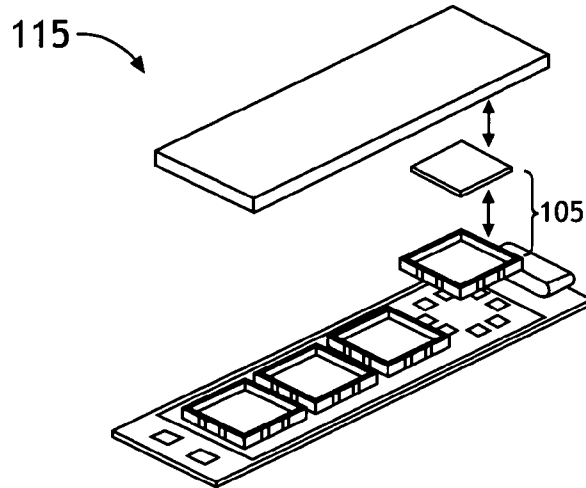


FIG.1F

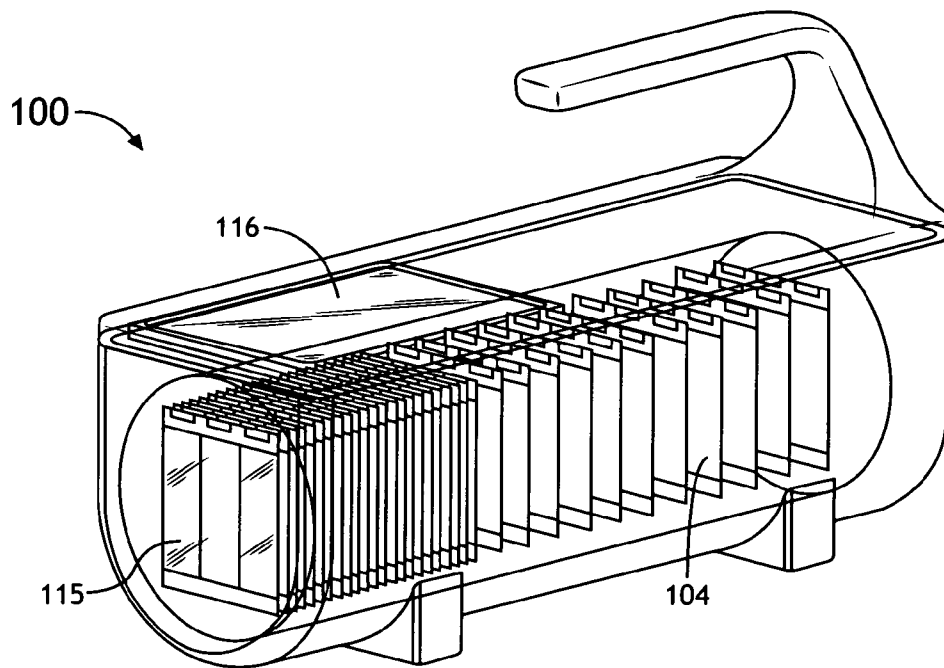


FIG.1G

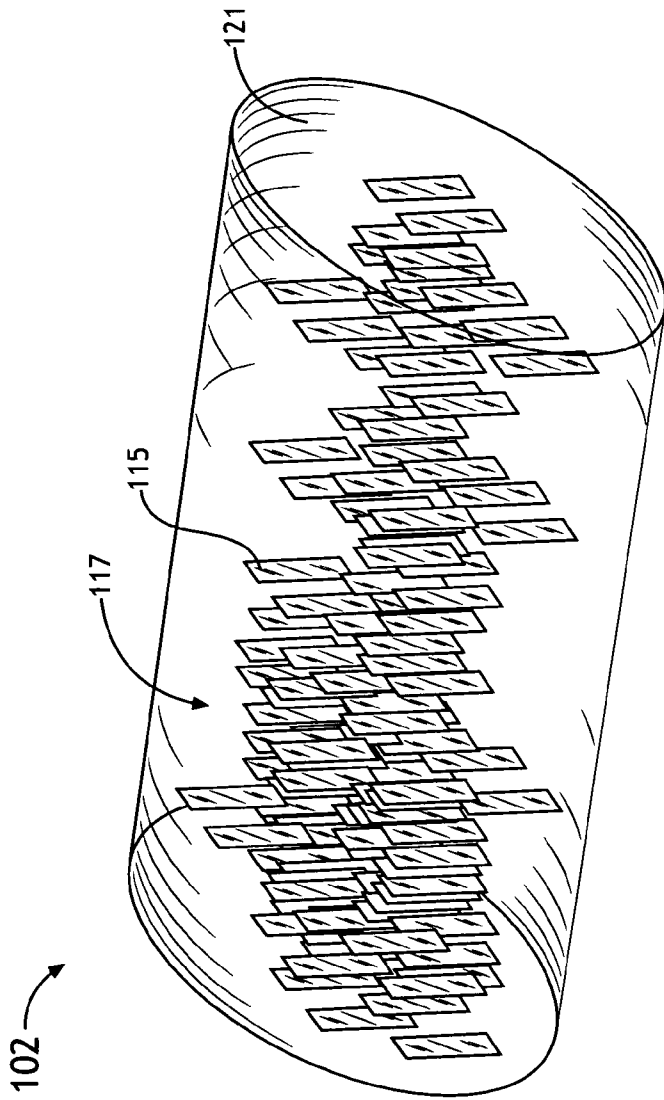


FIG.1H

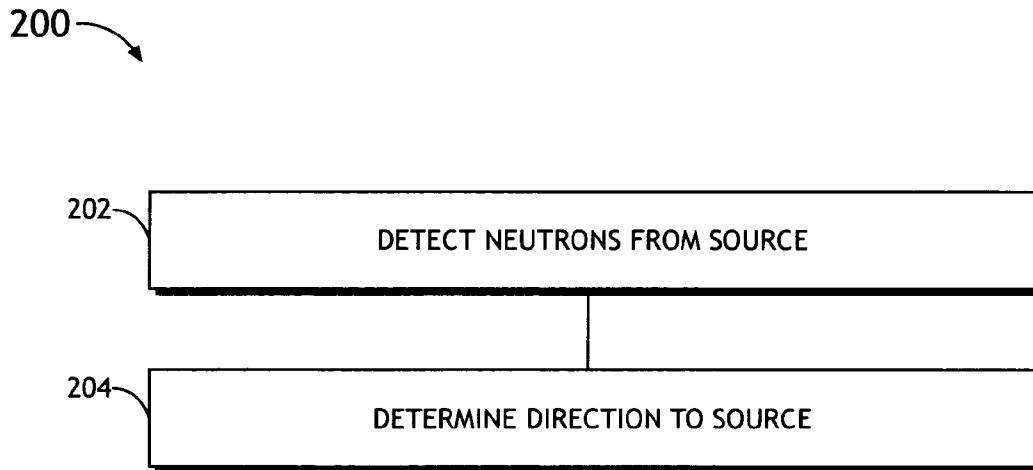


FIG.2A

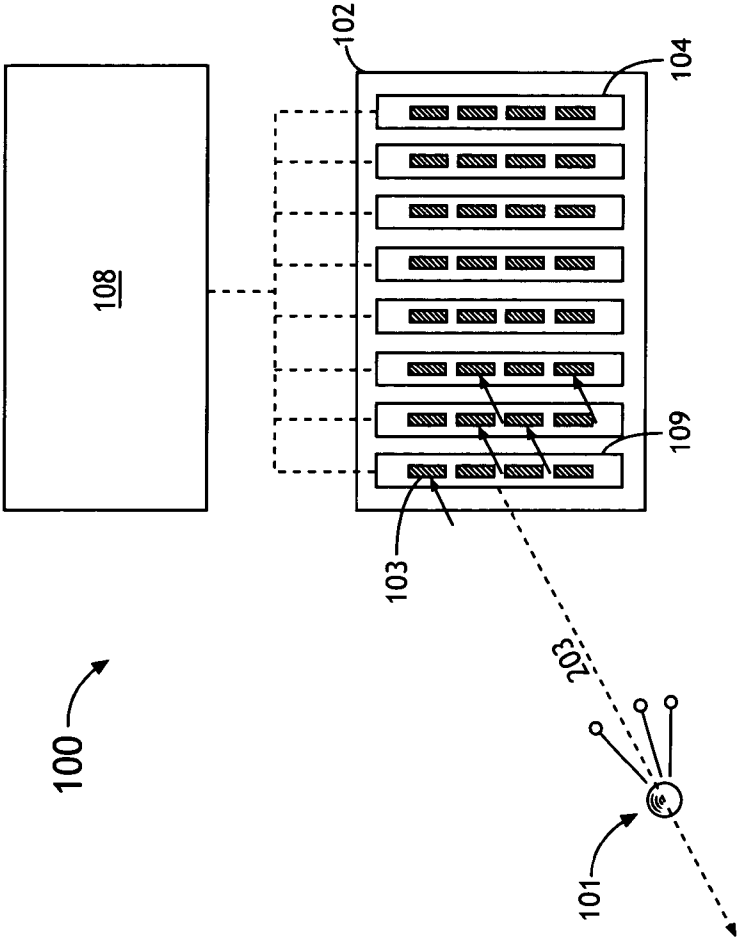


FIG.2B

210

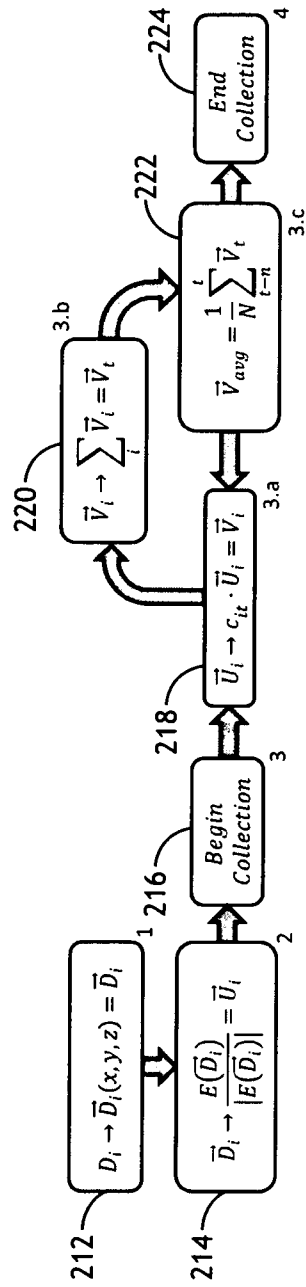


FIG.2C

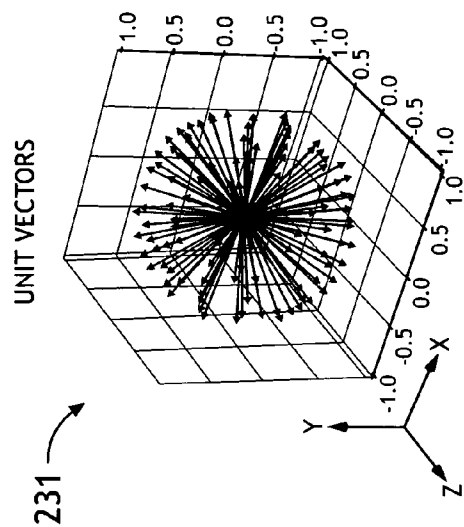


FIG.2E

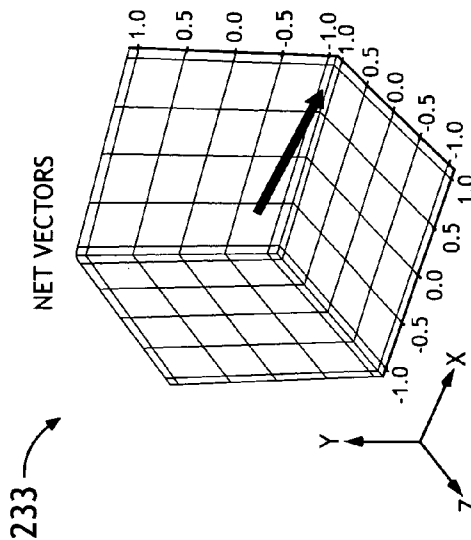


FIG.2G

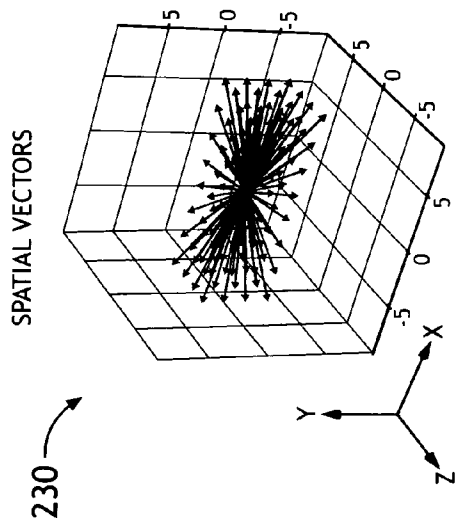


FIG.2D

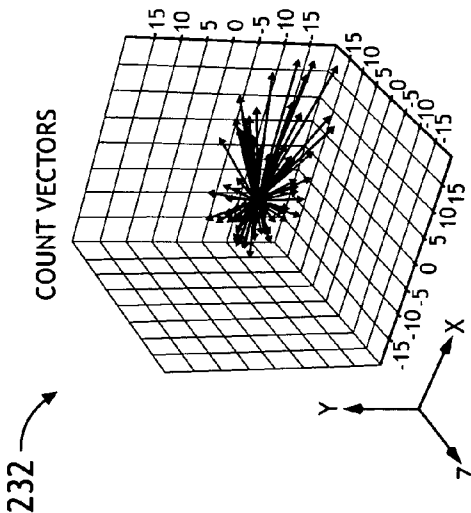


FIG.2F

234

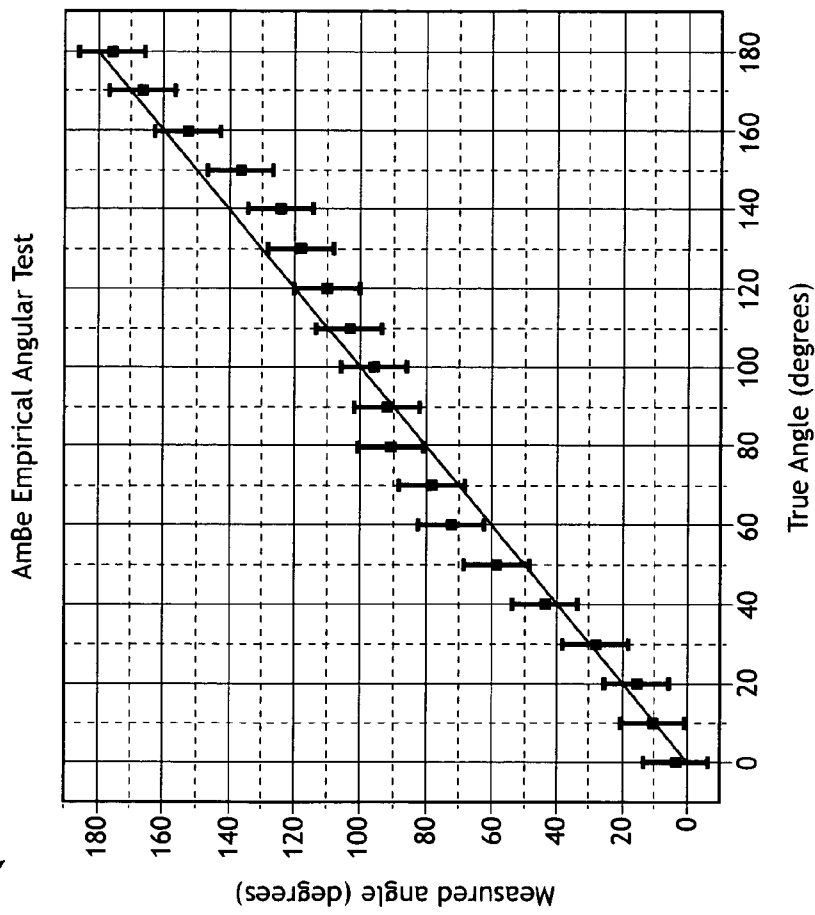


FIG.2H

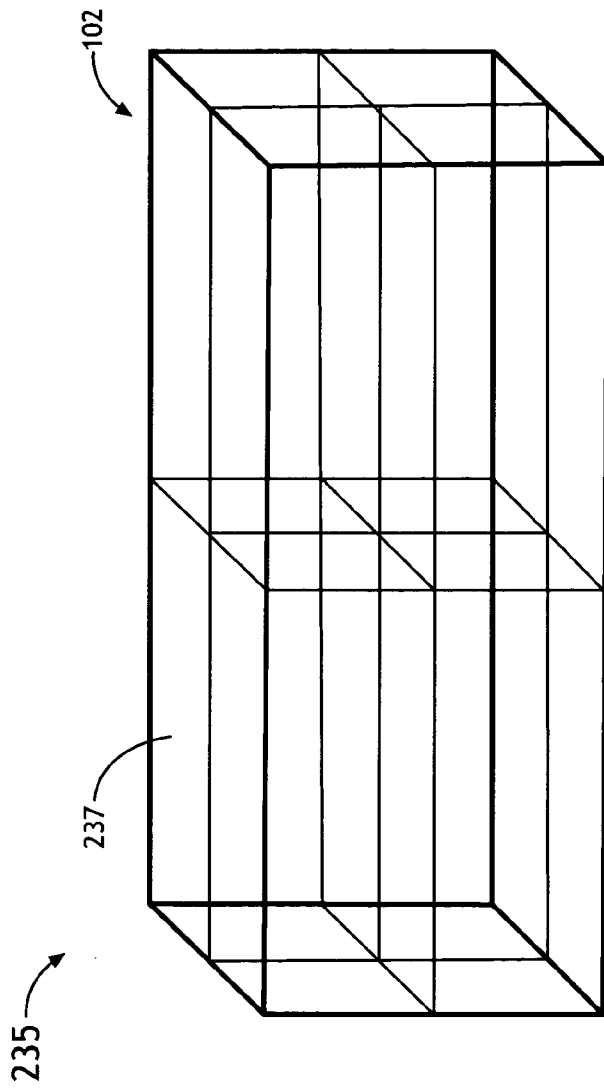


FIG. 2I

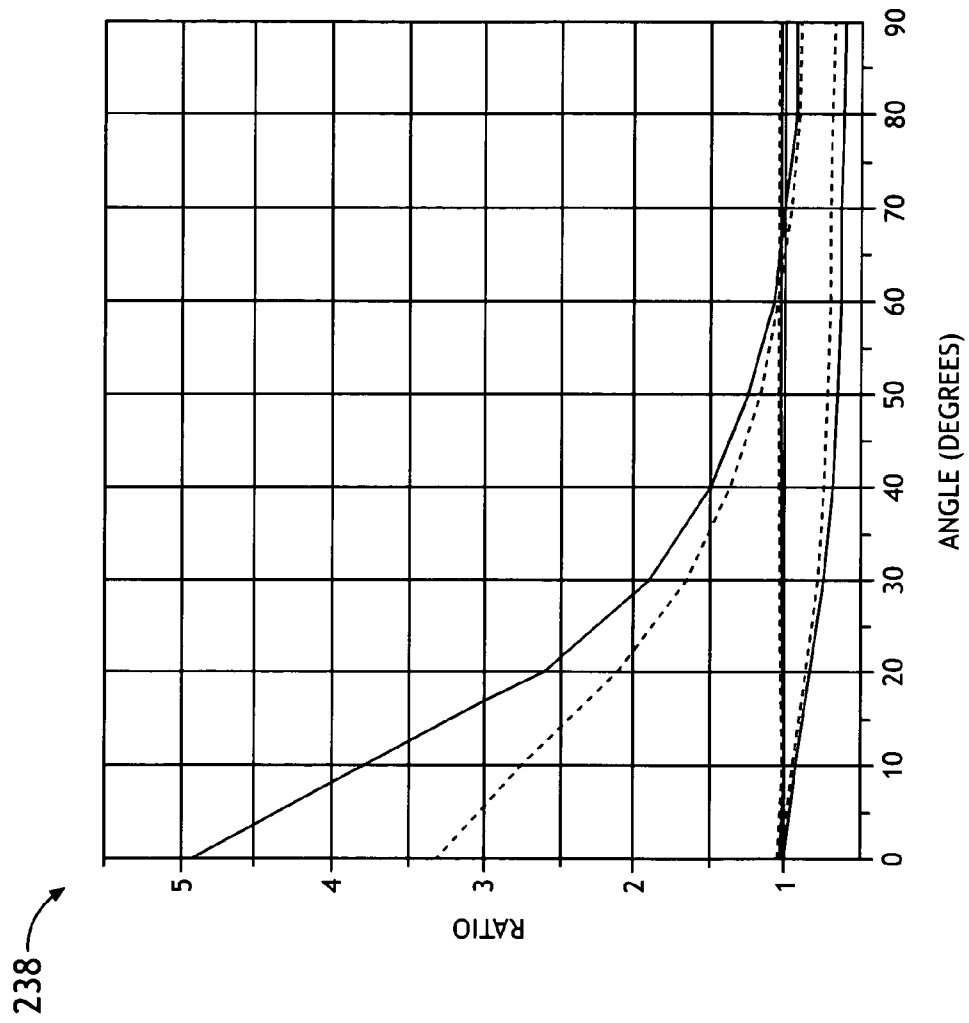


FIG. 2J

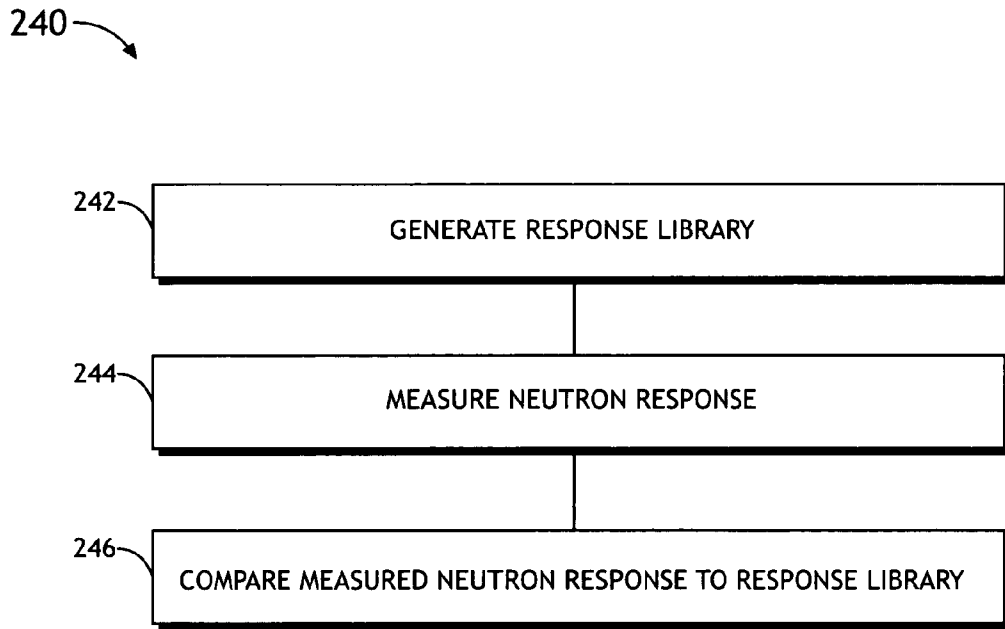


FIG.2K

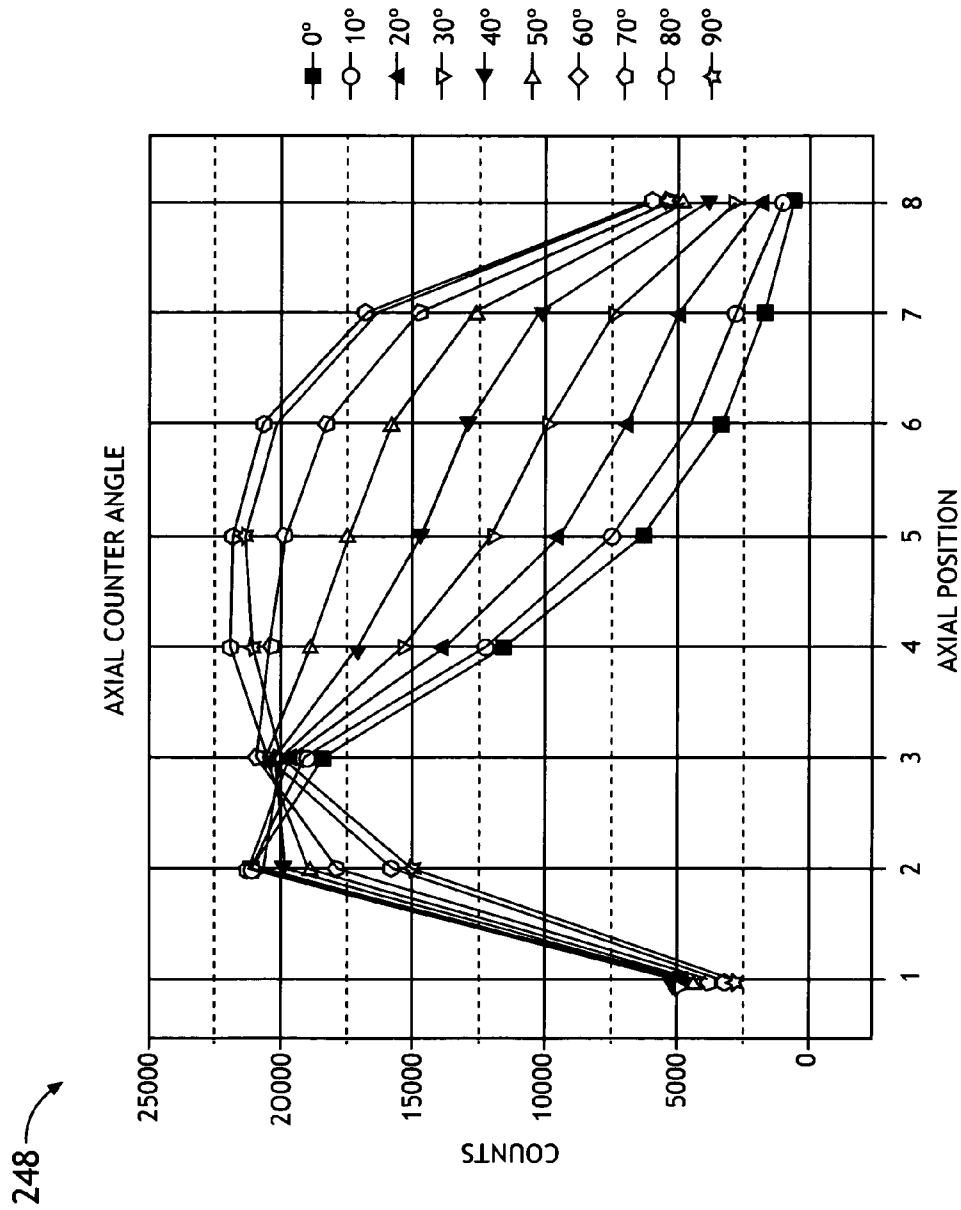


FIG.2L

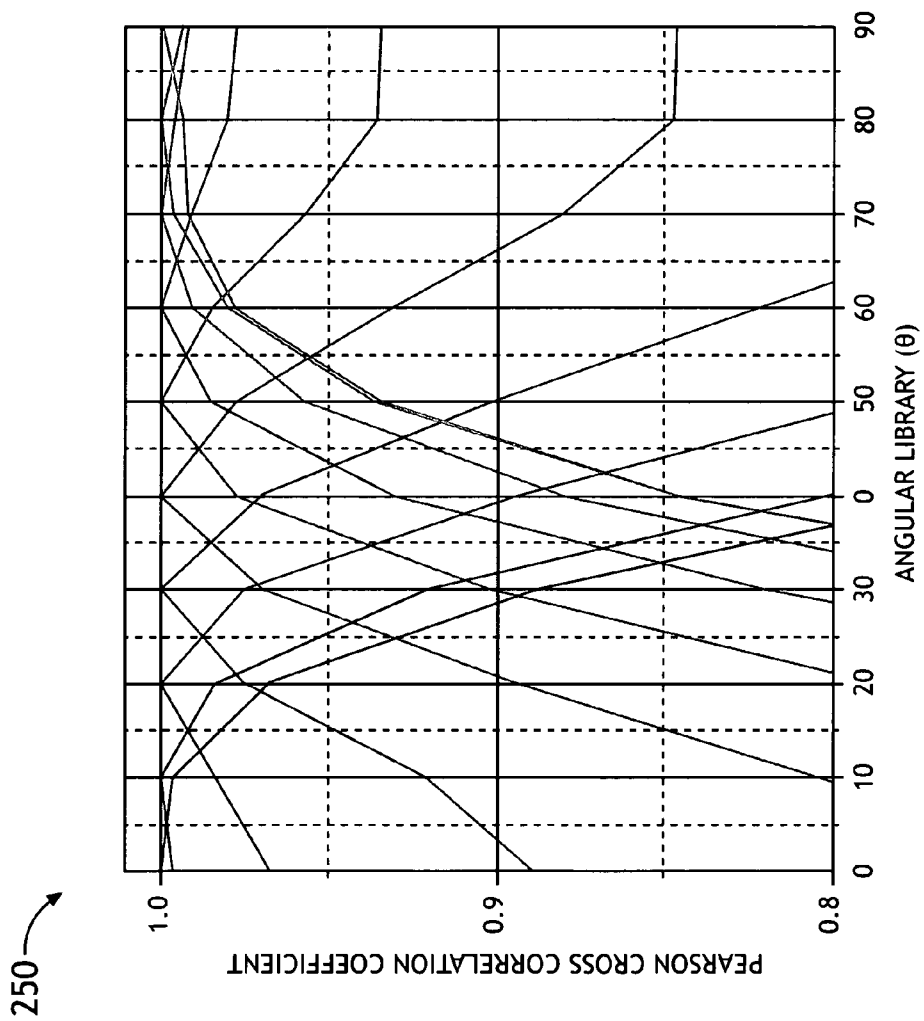


FIG. 2M

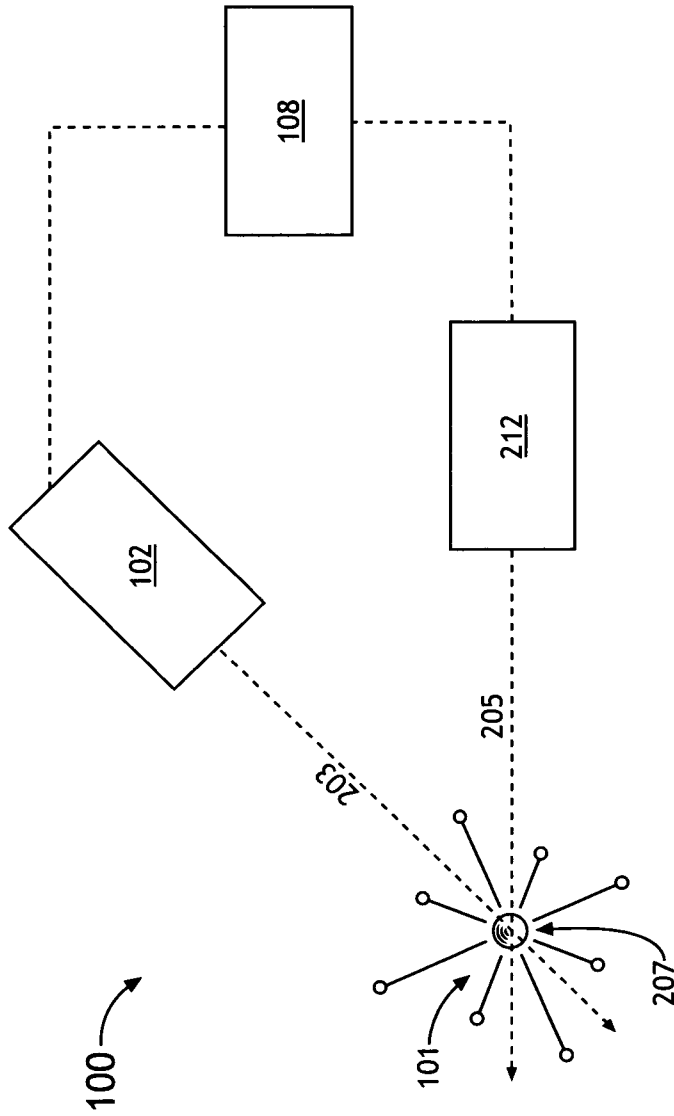


FIG. 2N

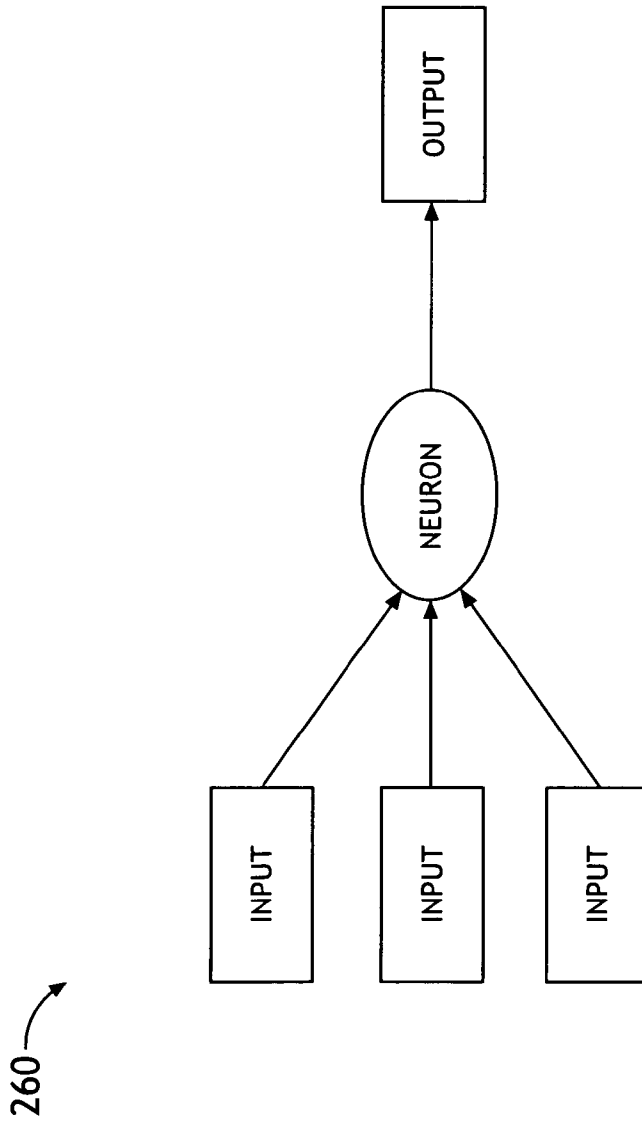


FIG.20

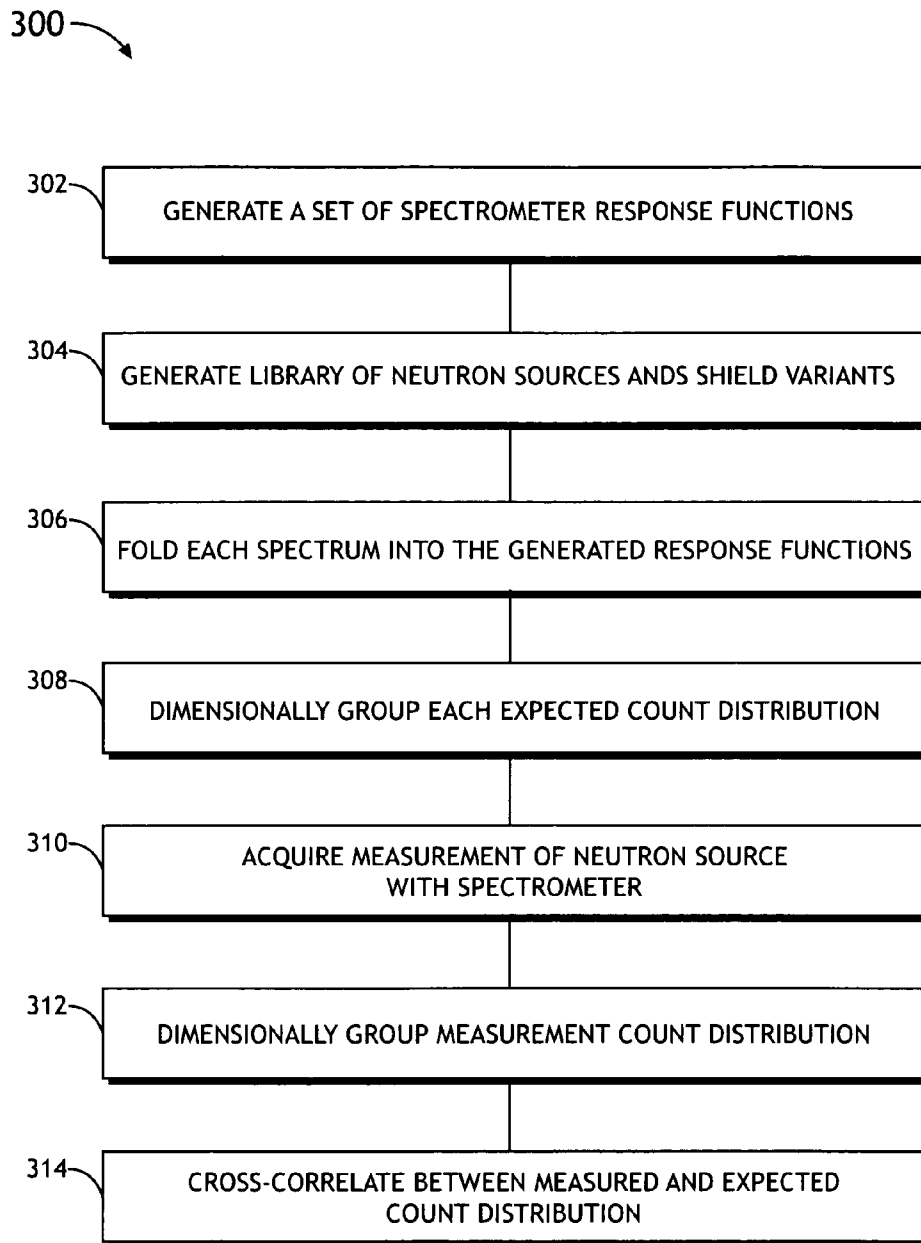


FIG.3A

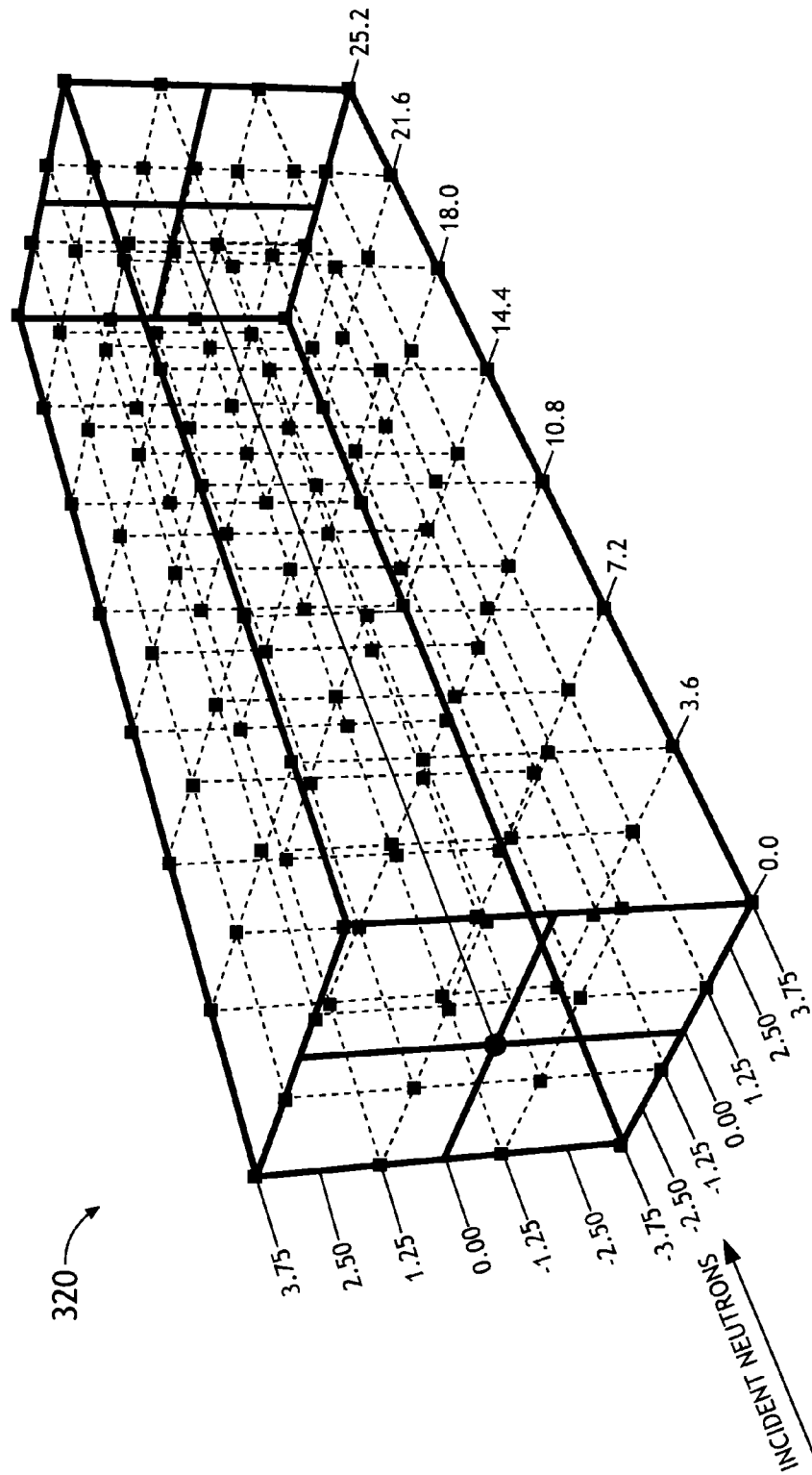


FIG. 3B

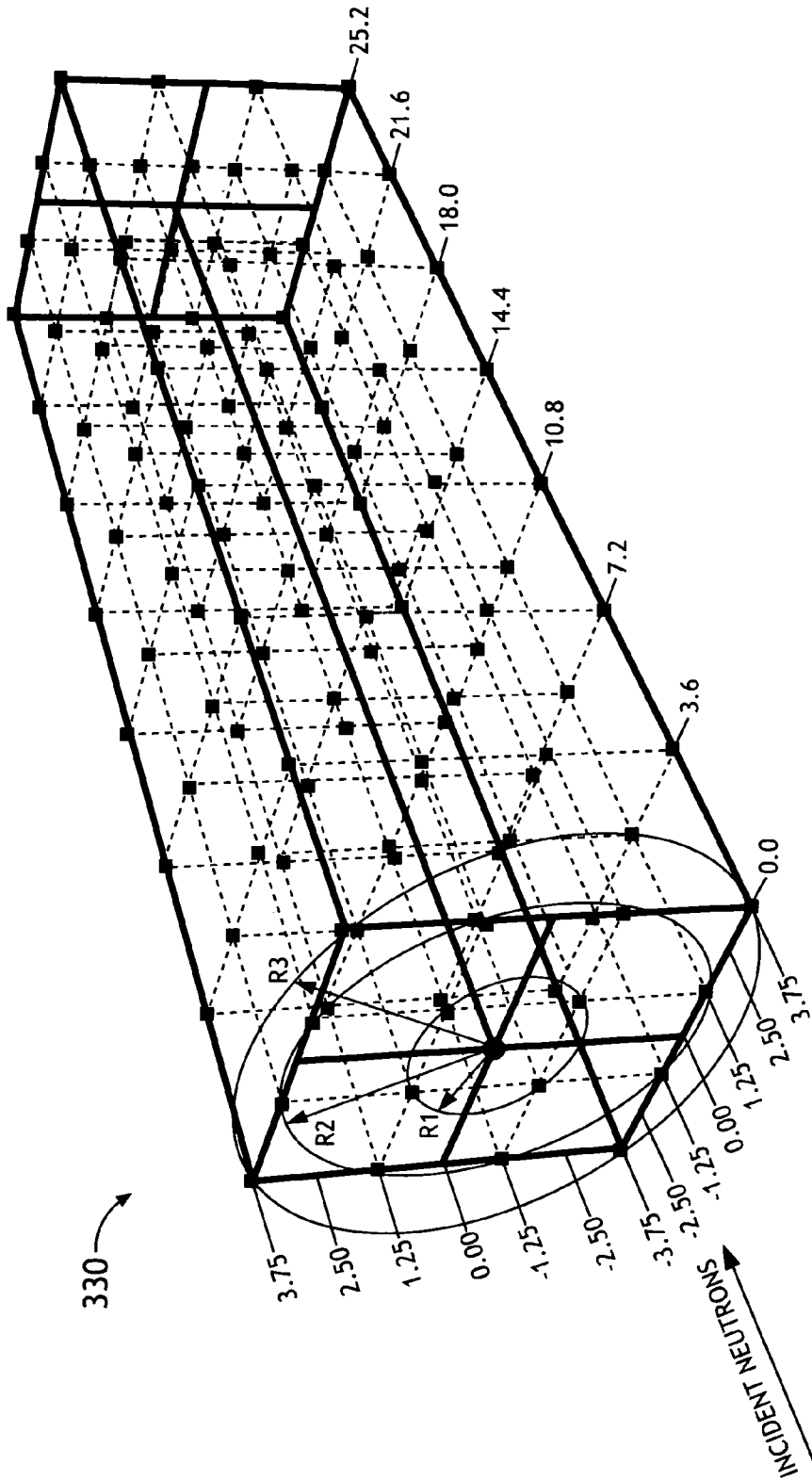


FIG.3C

340

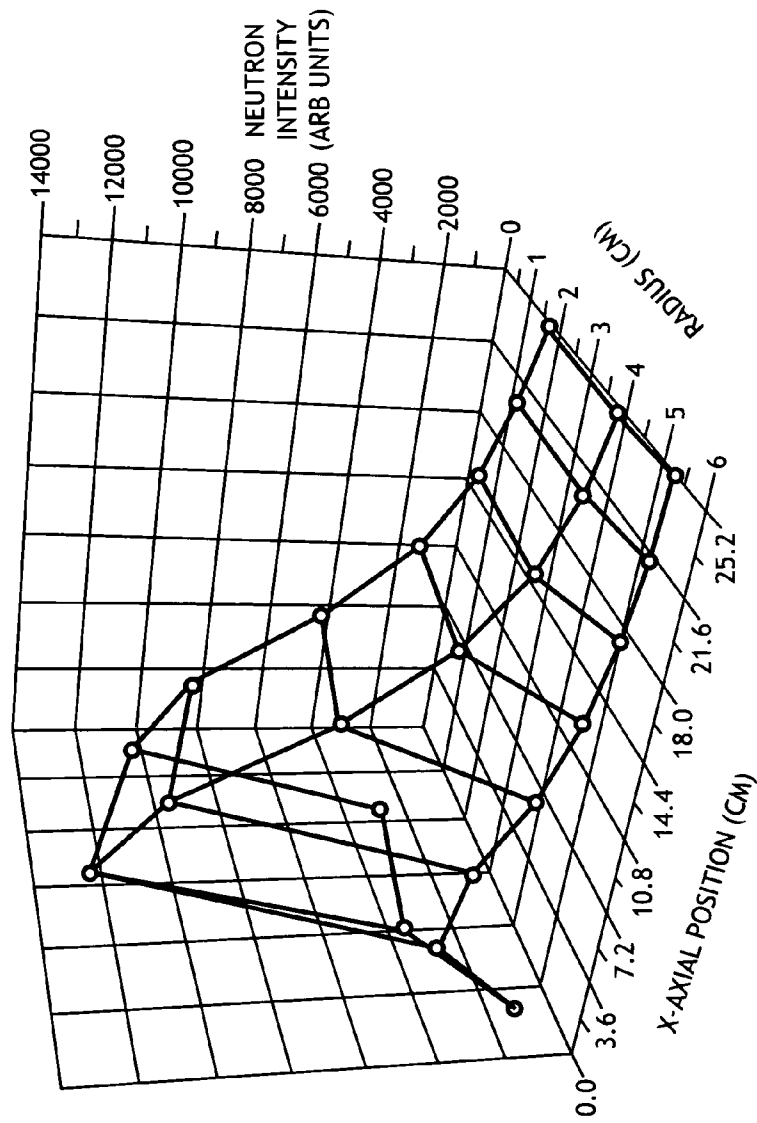


FIG. 3D

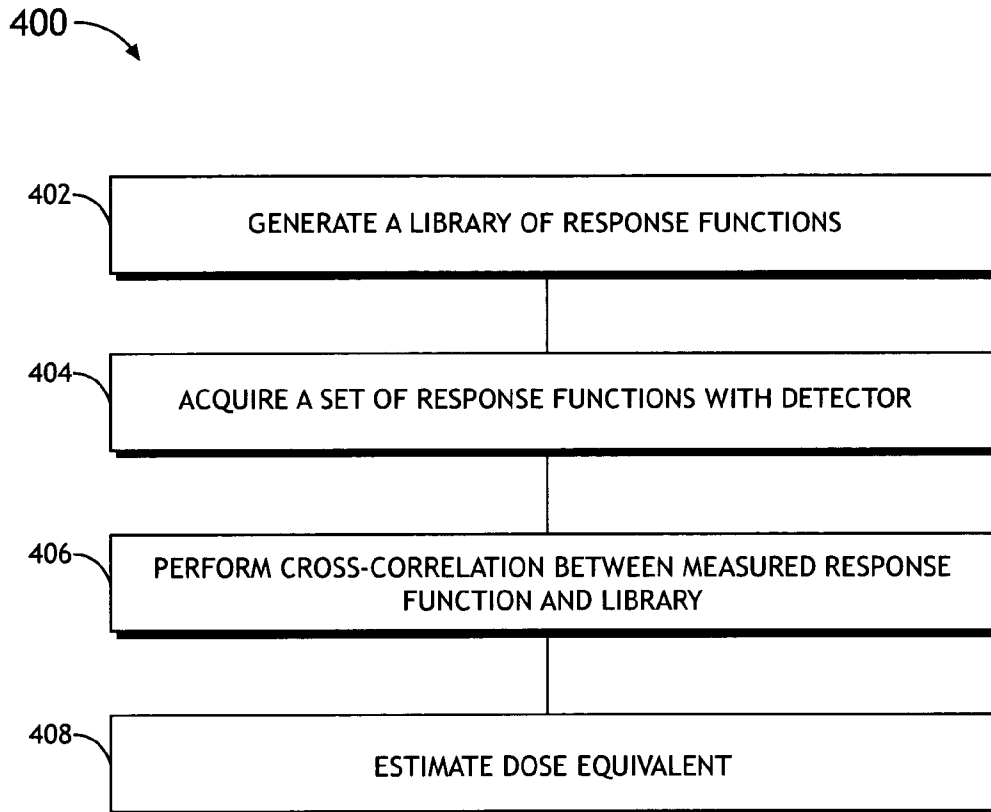


FIG.4A

410 →

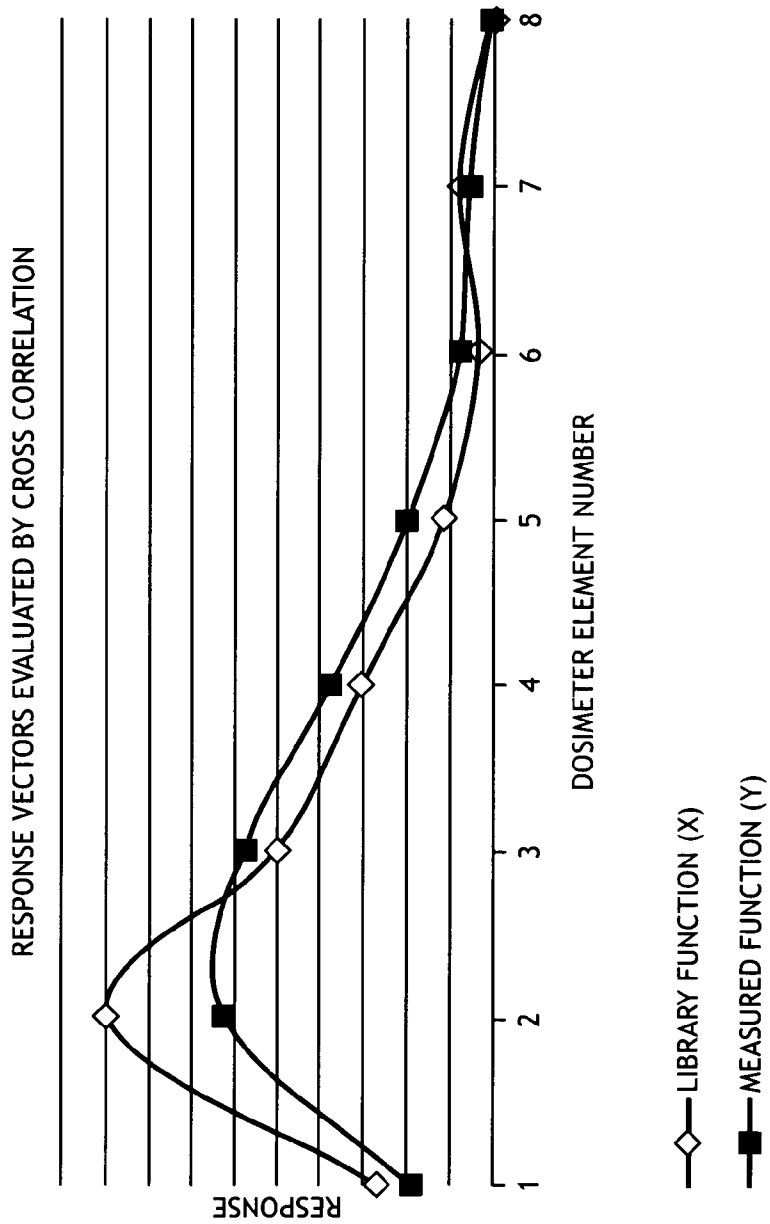


FIG.4B

500

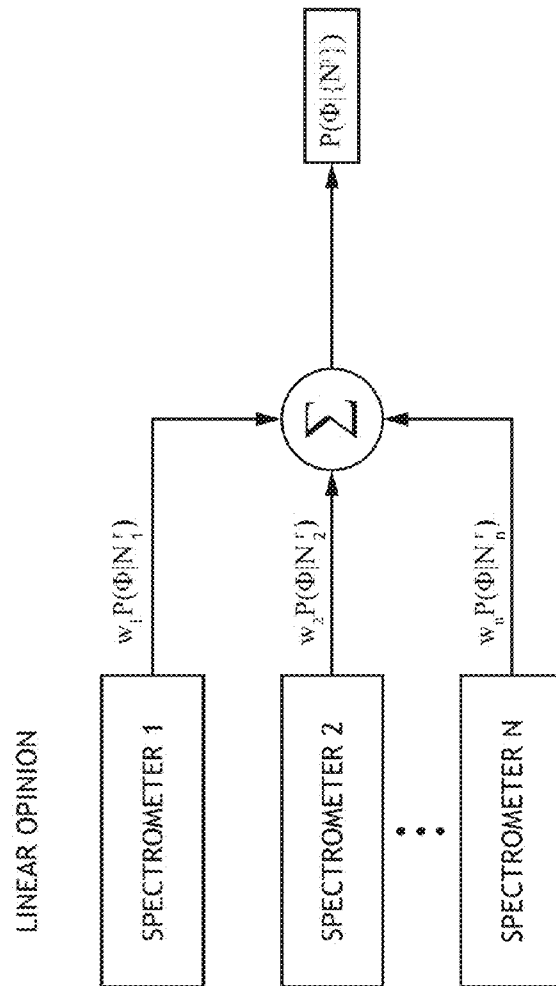


FIG. 5A

510

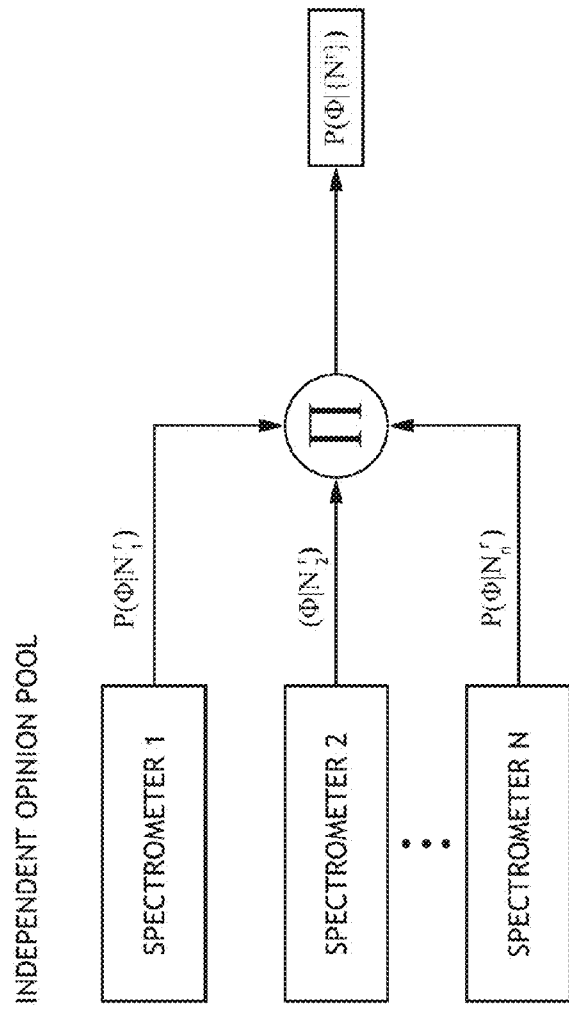


FIG.5B

520

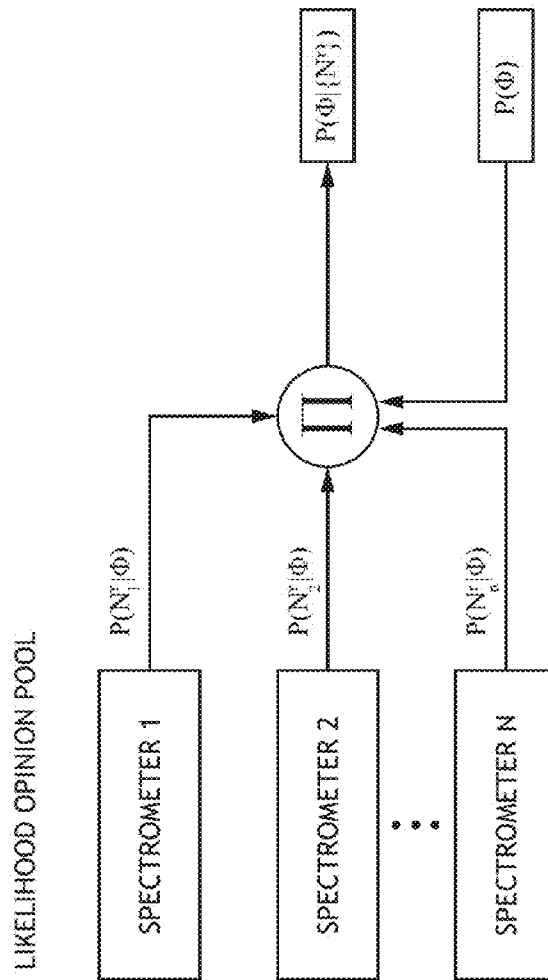


FIG. 5C

600

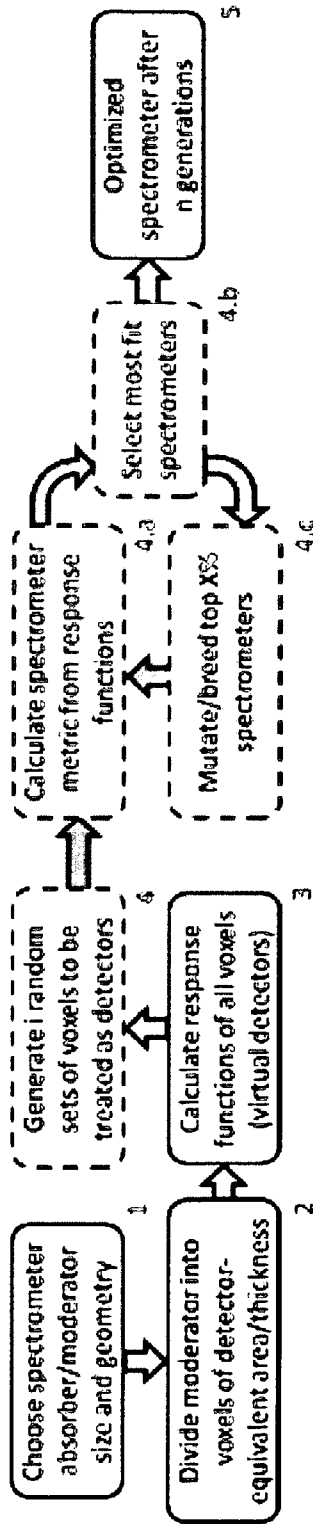


FIG. 6A

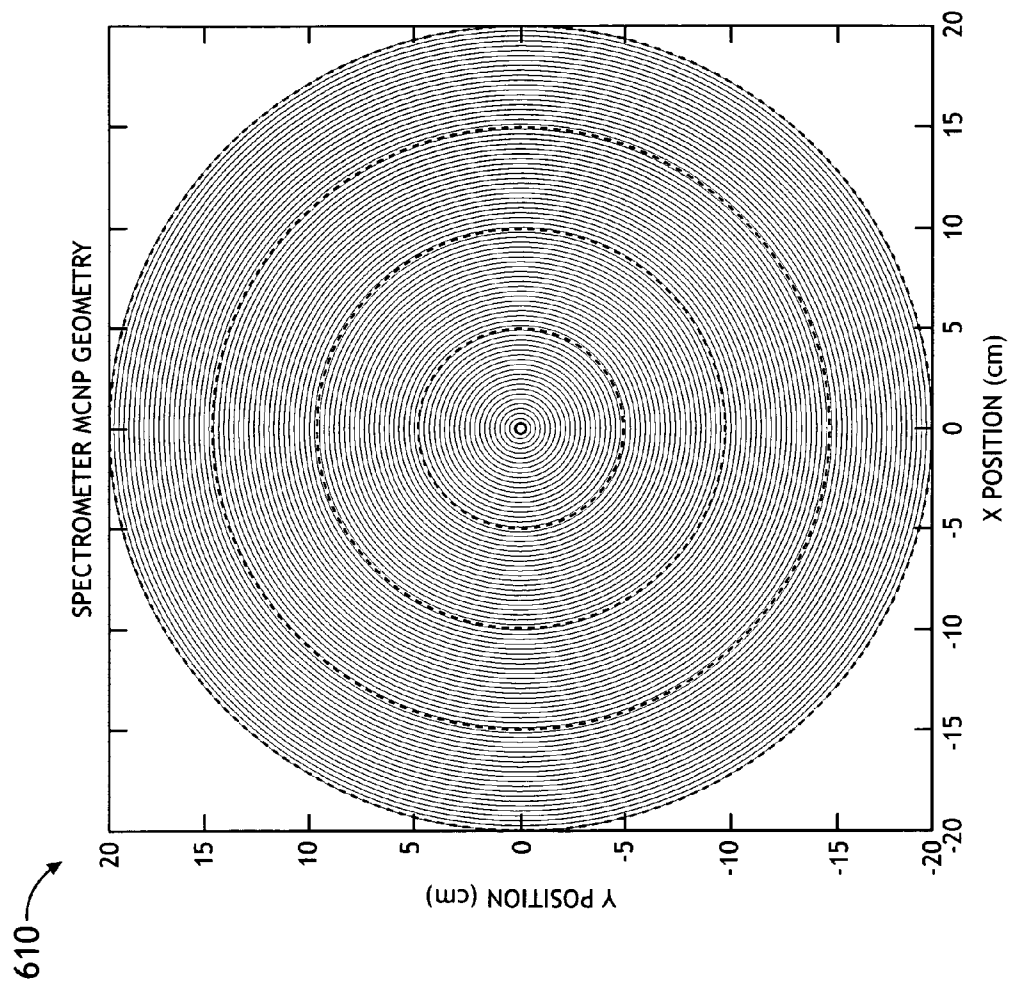


FIG. 6B

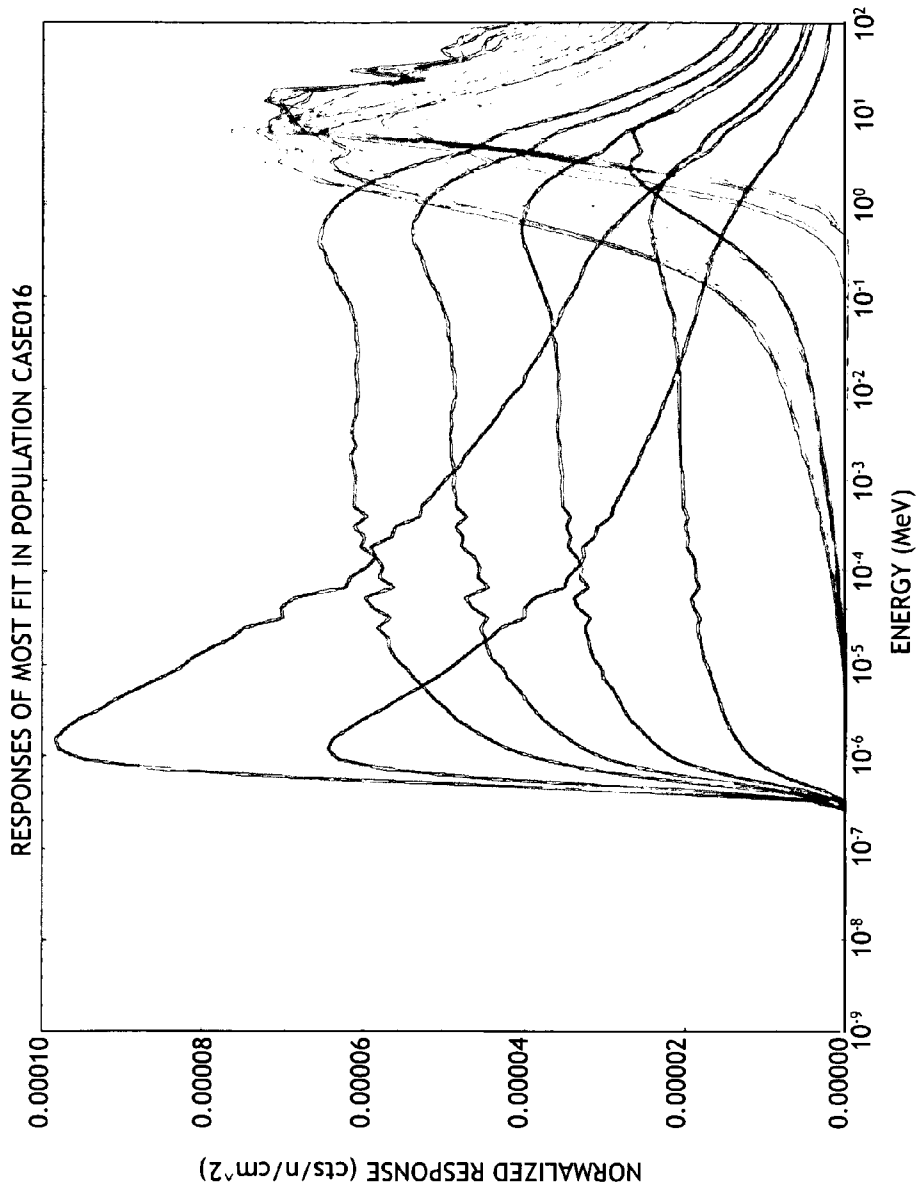


FIG. 6C

620 →

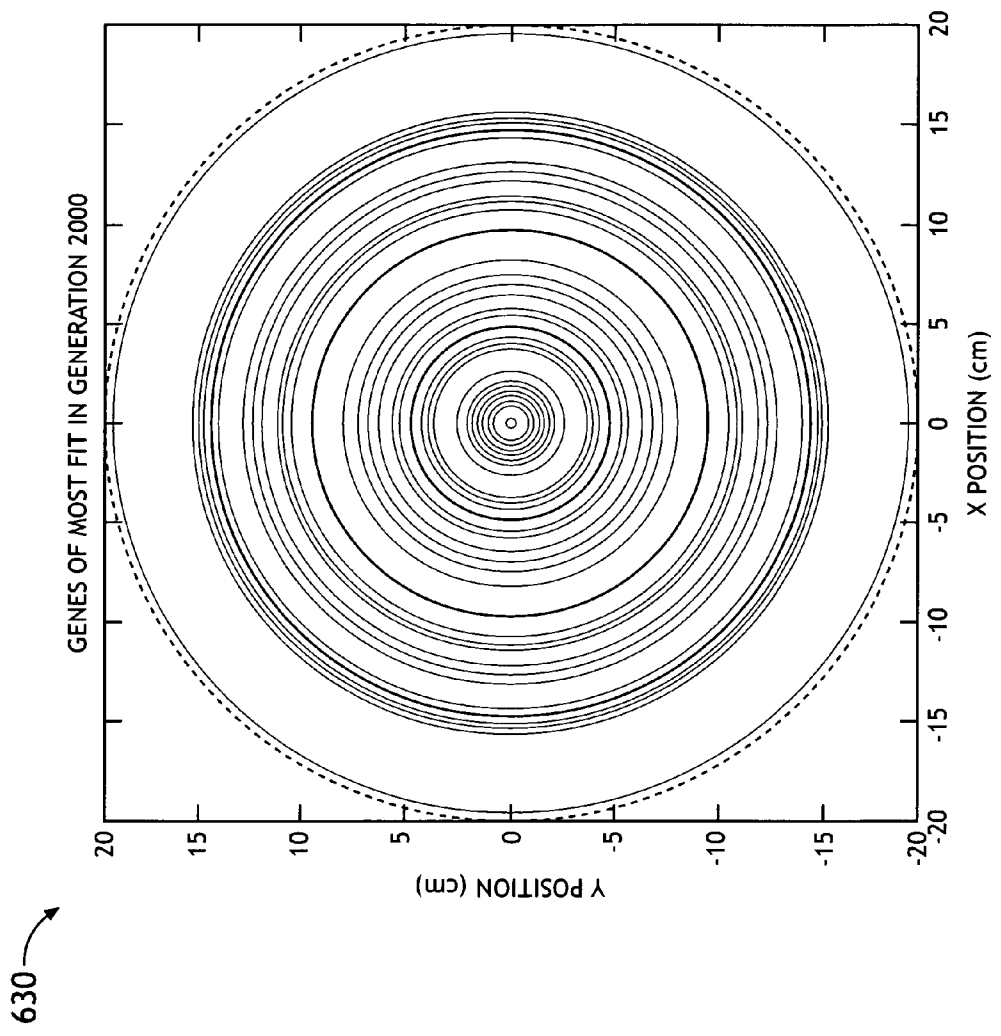


FIG.6D

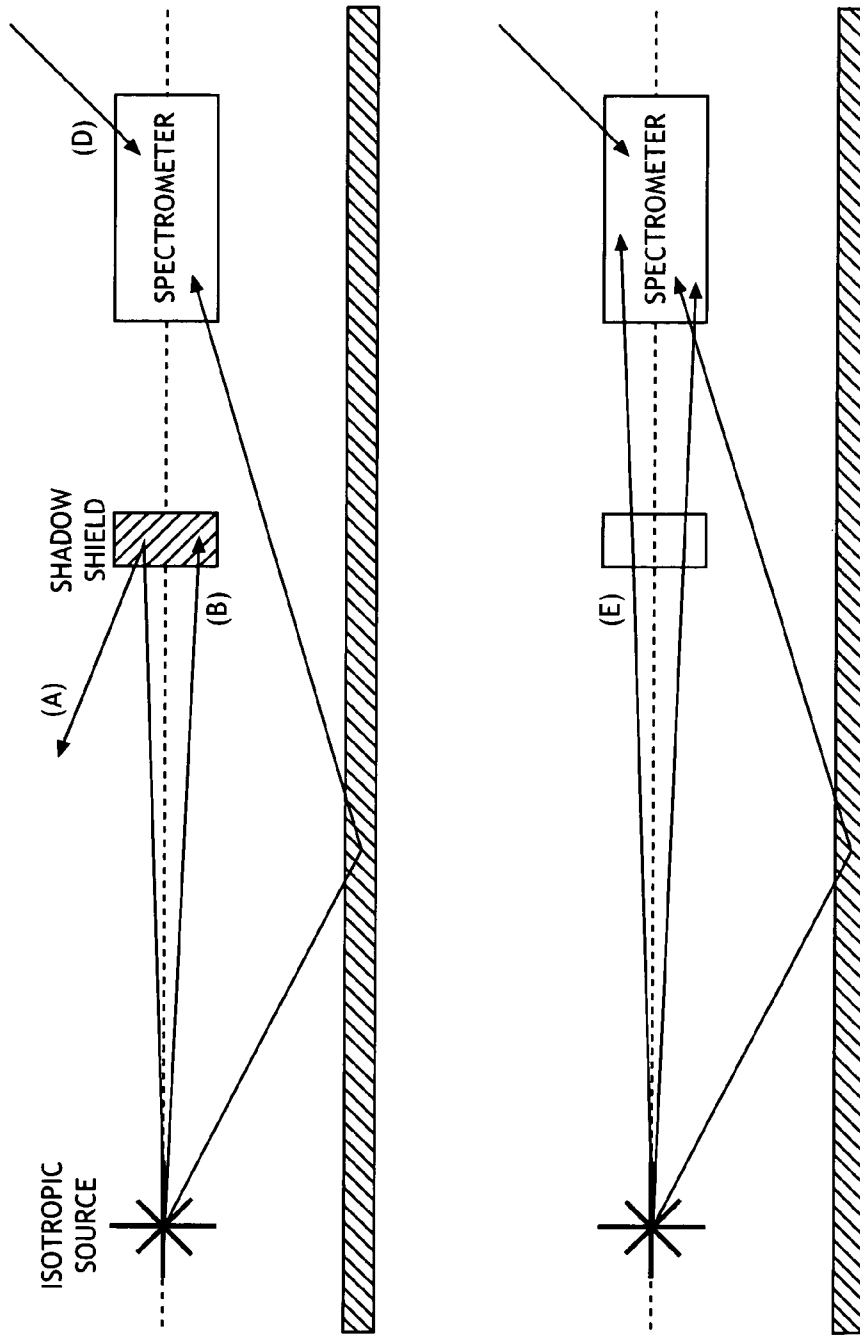


FIG.7A

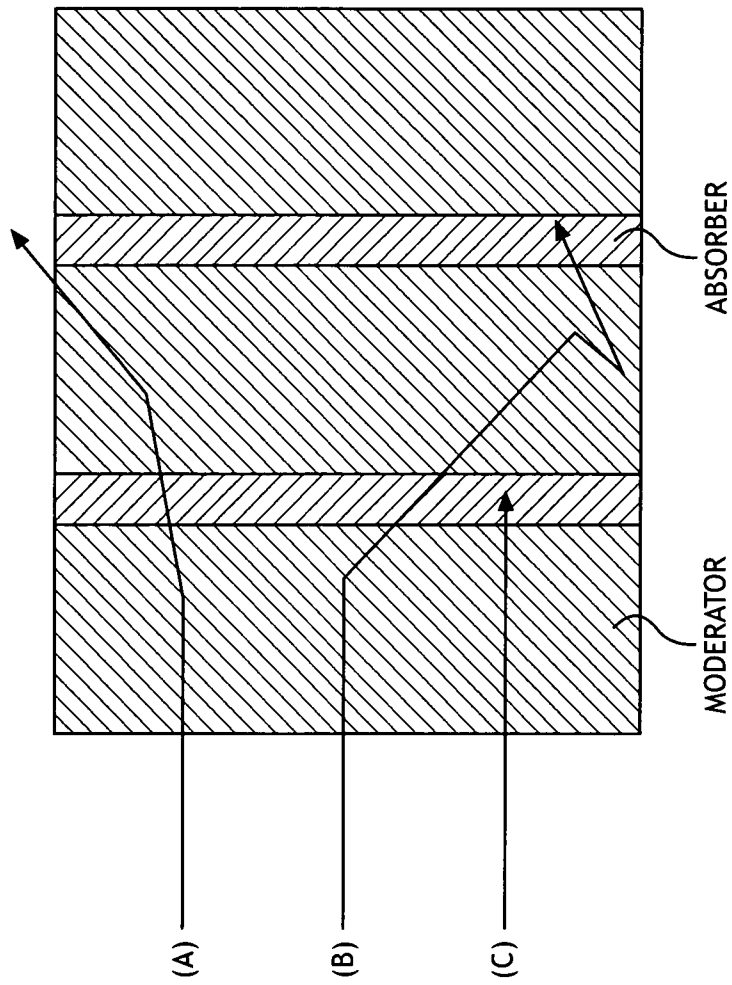


FIG. 7B

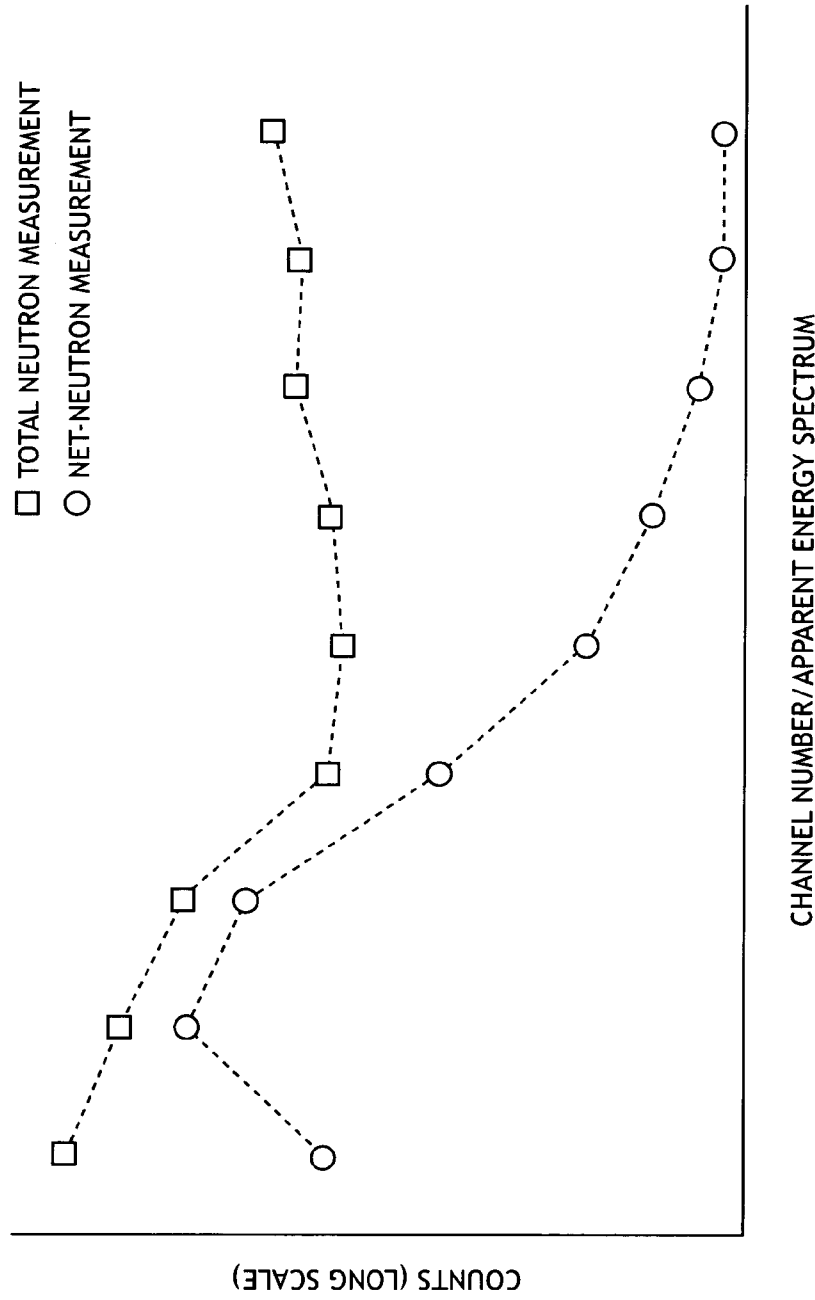


FIG.7C

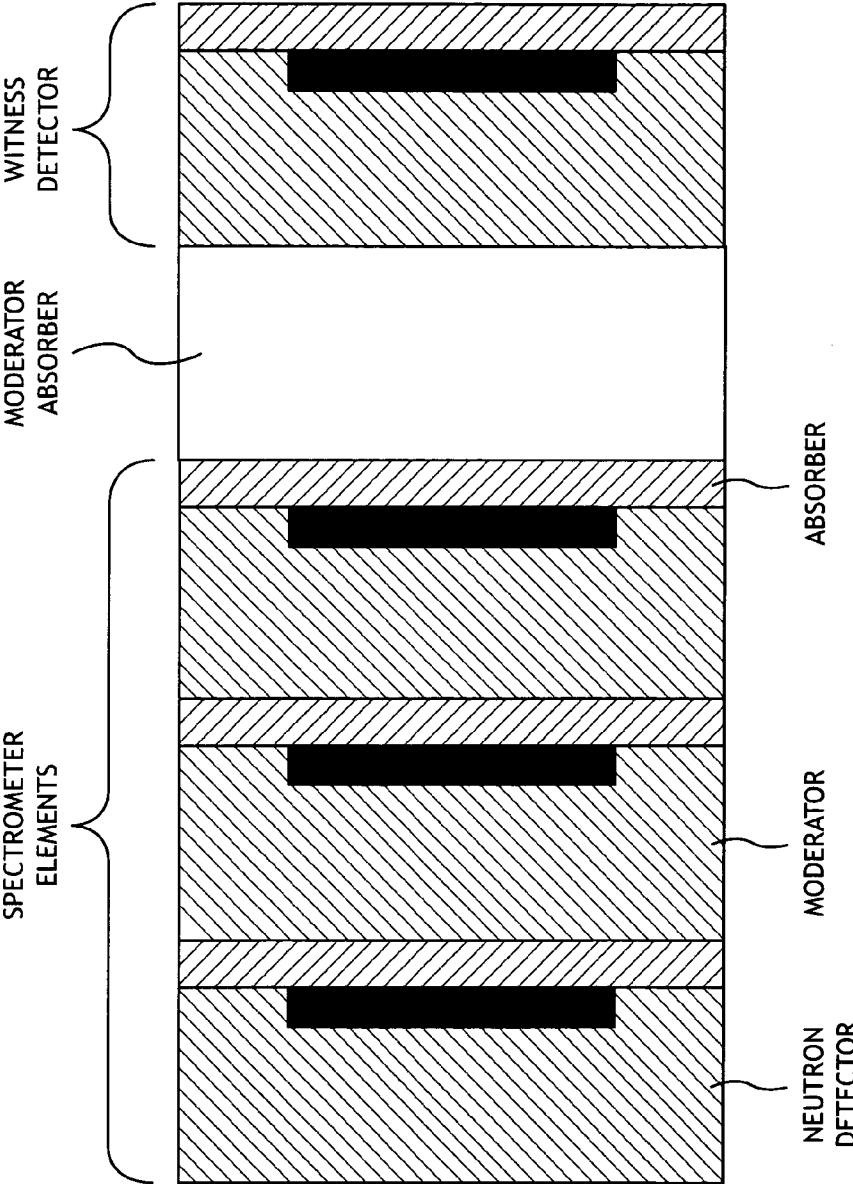


FIG.7D

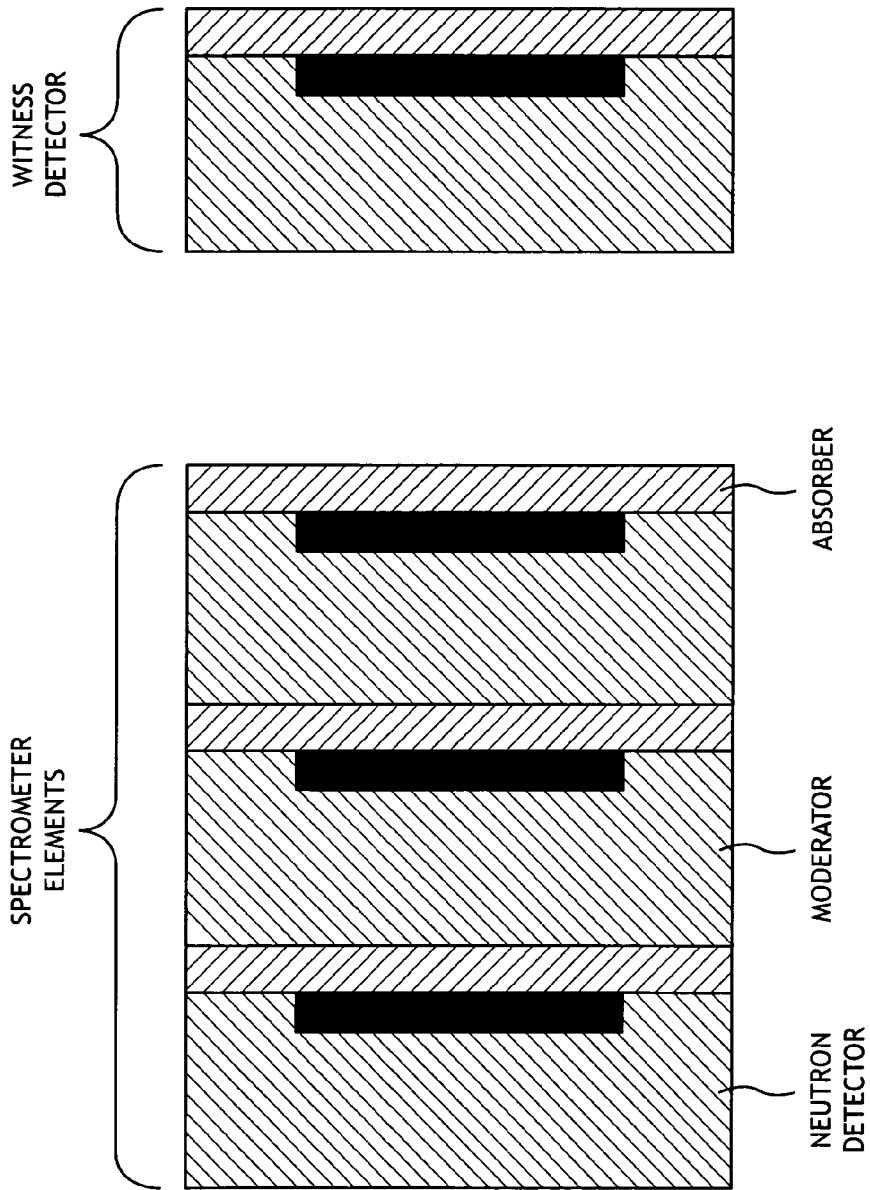


FIG.7E

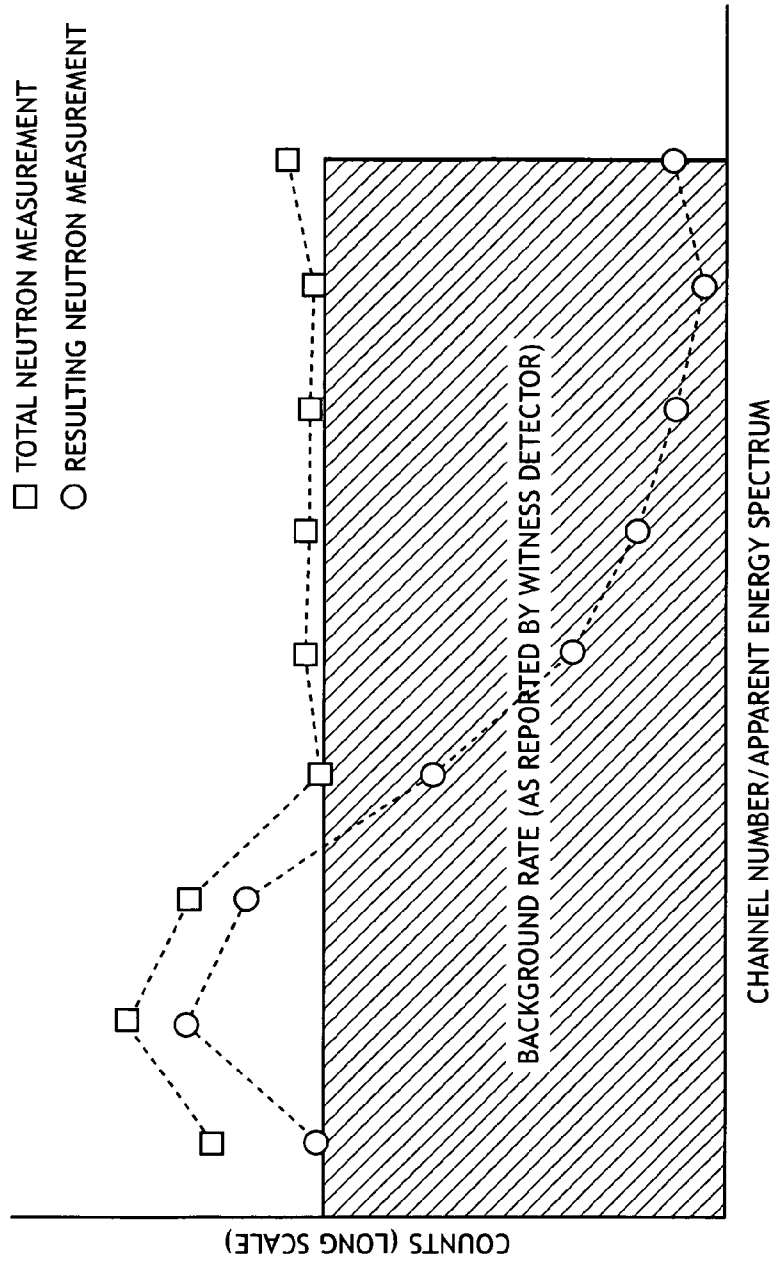


FIG.7F

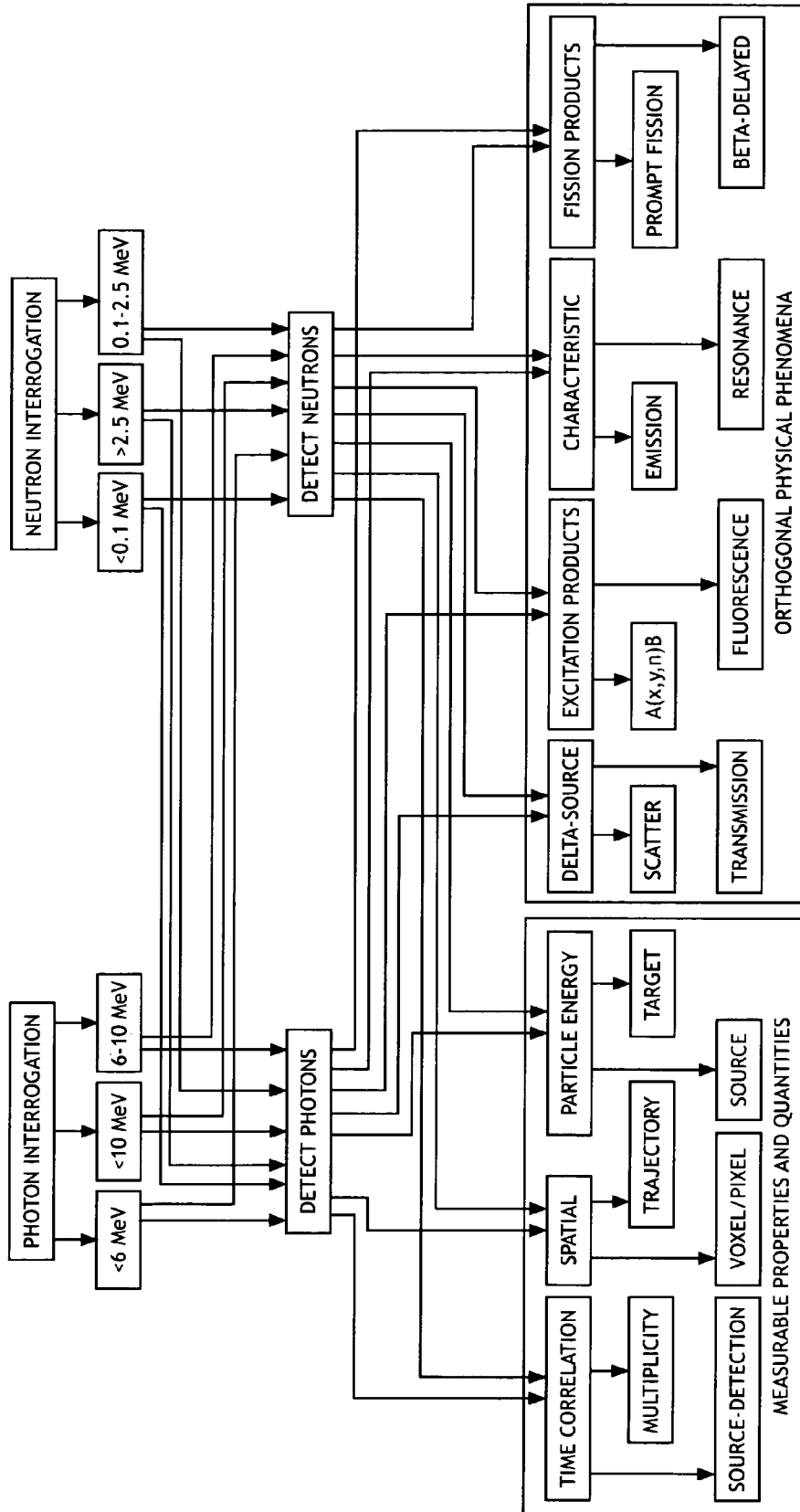


FIG. 8

1

APPARATUS AND METHOD FOR THE DETERMINATION OF ONE OR MORE NEUTRON SOURCE CHARACTERISTICS

CROSS-REFERENCE TO RELATED APPLICATION

The present application is related to and claims the benefit of the earliest available effective filing date(s) from the following listed application(s).

The present application constitutes a continuation-in-part of copending U.S. patent application Ser. No. 13/694,104, entitled APPARATUS AND METHOD FOR DETERMINATION OF ONE OR MORE FREE NEUTRON CHARACTERISTICS, naming Steven L. Bellinger et al. as inventors, filed on Oct. 29, 2012, which claims the benefit of U.S. Provisional Patent Application Ser. No. 61/198,413, entitled APPARATUS AND METHOD FOR THE IDENTIFICATION OF FREE NEUTRON PROPERTIES, naming Steven L. Bellinger et al. as inventors, filed on Oct. 27, 2011.

In addition, the present application claims the benefit of U.S. Provisional Patent Application Ser. No. 61/966,878, entitled APPARATUS AND METHOD FOR THE LOCALIZATION AND IDENTIFICATION OF NEUTRON SOURCES AND/OR NEUTRON SHIELDING MATERIALS AND NEUTRON DOSE EQUIVALENT. Each of the above-listed application is incorporated herein by reference in the entirety.

STATEMENT REGARDING FEDERALLY SPONSORED RESEARCH OR DEVELOPMENT

The U.S. Government has a paid-up license in this invention and the right in limited circumstances to require the patent owner to license others on reasonable terms as provided for by the terms of Award ONR N00014-11-1-0157.

TECHNICAL FIELD

The present invention generally relates to a method and apparatus for one or more characteristics of a neutron source, and more particularly to a neutron detection system allowing for more efficient detection of neutrons.

BRIEF DESCRIPTION OF THE DRAWINGS

The numerous advantages of the disclosure may be better understood by those skilled in the art by reference to the accompanying figures in which:

FIG. 1A through 8 illustrate various embodiments of the system for determining one or more neutron source characteristics, in accordance with the present invention.

DETAILED DESCRIPTION OF THE INVENTION

It is to be understood that both the foregoing general description and the following detailed description are exemplary and explanatory only and are not necessarily restrictive of the invention as claimed. The accompanying drawings, which are incorporated in and constitute a part of the specification, illustrate embodiments of the invention and together with the general description, serve to explain the principles of the invention. Reference will now be made in detail to the subject matter disclosed, which is illustrated in the accompanying drawings.

2

Referring generally to FIGS. 1A through 8, one or more detection systems suitable for determination of one or more neutron source characteristics is described in accordance with the present disclosure. Embodiments of the present disclosure are directed to a measurement system capable of directly and/or indirectly measuring characteristics associated with a neutron-emitting source through the measurement of neutron and/or photon (e.g., x-ray or gamma-ray) characteristics. For example, the detection system of the present disclosure may directly and/or indirectly measure characteristics associated with a neutron-emitting source by measuring any one or more of neutron intensity, photon intensity, neutron energy and photon energy. In addition, some embodiments of the present disclosure serve to determine a direction and/or location of a neutron source from the detection system of the present disclosure. Additional embodiments of the present disclosure provide for the identification of a neutron source and/or the local configuration (e.g., surrounding shielding and/or moderating materials). Embodiments of the present disclosure may also determine neutron dose and neutron kinetic energy.

It is further noted that materials used to attenuate (shield) or moderate a photon or neutron source may be useful in identifying the presence and type of photon or neutron source, and potentially, the intended application of said source. For instance, when shielding and/or moderating material is in range of a radioactive material, characteristic photons and/or neutrons may be generated. The intensity and/or noise range of the photons and/or neutrons emitted from the shielding and/or moderating material may provide for better analysis of the photon/neutron source than the characteristic photons and/or neutrons of the originating source. Because certain naturally occurring isotopes are used in conjugation with certain radioactive isotopes to fabricate unique nuclear and/or radiological devices, libraries of such combinations may be used to identify the probable application of the combination of such identified isotopes.

Some embodiments of the present disclosure provide for the combination of photon and neutron sensitive elements to yield a photon-neutron sensitive spectroscopy/detector instrument. Such an instrument is designed to be man-portable for real-time passive sensing missions, but may be adapted for vehicle or static mounting.

Additional embodiments of the present disclosure provide for the combination of outputs from individual photon and neutron sensitive spectrometer/detector devices or instruments to yield improved detection and analysis results. A variety of analysis techniques may be utilized to combine the output data from the neutron and photon sensitive devices and/or instruments. For instance, cross-correlation methods (or other template matching or correlation methods) may be used to analyze combined neutron and photon data streams to output a unique result.

Neutron source localization and/or identification using passive real-time collection of the neutron source emissions requires measurement and comparison of distinguishing features from that neutron emitting source. Distinguishing features at or greater than one meter (i.e., not primary beta or alpha particles) include x-rays, gamma-rays, and/or neutrons, although one normally only measures the photon intensity, photon energy spectrum, neutron intensity, or neutron energy spectrum. Although there are instruments capable of individually measuring quantities proportional to the neutron energy spectra or photon energy spectra from the neutron source, combining that information to yield a unique and higher confidence signature identification is new. It

should also be noted that there are instruments with dual neutron and photon spectroscopy capability, but the fusion of their data to yield a higher confidence result has not been reported. Detector materials that fit the above description include recoil based scintillators in which the neutron or photon spectra can be derived by deconvolution or unfolding methods. When placed in a moderating type neutron spectrometer geometry, elpasolite materials may also be used to extract incident neutron kinetic energy information by unfolding and gamma-ray spectroscopy information by direct integration with calibration.

The neutron and photon detectors can be derived from the same active material, or, may be separate, although both are part of one instrument or system. It is also possible to fuse the measurements from two separate instruments (e.g., one for neutron spectroscopy and one for photon spectroscopy) to yield more information, with the analysis methods disclosed here, than is possible by the individual instruments and their analysis methods alone. The principal features of the instruments and analysis methods described are the ability to determine the: (1) presence of a neutron source with greater certainty than is afforded by a photon or neutron counting instrument alone; (2) relative direction of or to a neutron source with greater accuracy than the prior art; (3) distance to a neutron source without a coded aperture; (4) neutron source type with greater certainty than is afforded by neutron or photon spectroscopy methods alone; (5) neutron source type with greater accuracy than is afforded by prior neutron spectroscopy or identification methods; (6) neutron kinetic energy spectrum with greater accuracy than is afforded by prior deconvolution techniques; (7) elements (or isotopes) comprising shielding and/or moderating materials surrounding a radioactive material; (8) the neutron dose with greater accuracy; (9) quantities specified in (1)-(8) with less computational requirements than the prior art; and, (10) improvements on the quantities specified in (1)-(7) by measurement of the neutron and gamma products from neutron interrogation.

Improved source localization is accomplished by the combination of the moderating type neutron spectrometer geometry of the detector-moderator elements and the gamma-ray analysis methods. The moderating type neutron spectrometer geometry allows for very high absolute and intrinsic neutron detection efficiency over the thermal to top end of the evaporation neutron spectrum range. The gamma-ray analysis methods include algorithms that look for, not only the direct gamma-rays from the potential source material, but the interaction of the source materials primary emissions with materials in its proximity.

The relative direction of or to a neutron emitting source is determined by neutrons alone using the moderating type neutron spectrometer geometry; here we describe three separate methods. In the first method, a ratio of detection from octants in the spectrometer provides gross directional resolve. The second is a template matching method. In this method, libraries or templates of the source relative to the spectrometer are pre-determined, then used to compare against in the detected field. In the third method, unit vectors are constructed from the individual counts and the spatial distribution of the sensors. When a five second or greater moving window is used with this vectorization method, 10 degree angular resolution can be achieved.

Because the moderating type neutron spectrometer described above is sensitive to the angle at which neutrons are scattered from the ground, pre-determined neutron intensities as a function of axial depth can be used (as a template comparison) to provide information about the source dis-

tance from the spectrometer. Note, this depth resolution is possible without the use of a coded aperture.

A moderating type neutron spectrometer that employs thermal neutron detectors in two- or three-dimensions can yield more accurate template matching properties than in a one-dimensional analysis. The improvement is observed in the increase in certainty of the source chosen from the template matching procedure, as well as in the separation of the figure or merit or score by which the template match is characterized. In other terms, the inventors have discovered a marriage between multi-dimensional cross correlation (e.g., 3-D Pearson product moment cross correlation) and the multi-dimensional data available from the moderating type neutron spectrometer described above to yield both a more sensitive and more accurate result.

An improved method for determining the neutron dose equivalent can be extracted by utilizing the template matching capability described in previous work, as well as in combination with the improved template matching capabilities described herein (vide infra). By identifying a source type and its configuration (i.e., bare, specific shielding and/or moderator) from pre-computed source and source geometries, the incident neutron energy spectrum can be determined with very high accuracy.

FIG. 1A illustrates a high-level block diagram of a detection system **100**, in accordance with one embodiment of the present disclosure.

In one embodiment, the detection system **100** includes one or more detectors **102**. In another embodiment, the one or more detectors **102** may include, but are not limited to, a plurality of detector assemblies **104**. In another embodiment each of the detector assemblies **104** includes a plurality of detection devices **105**. In one embodiment, the detection devices **105** are configured to detect one or more characteristics of neutrons and/or photons emanating from the one or more neutron sources **101** and impinging on one or more of detection devices **105**.

In another embodiment, the detection system **100** includes a plurality of discrete moderating elements **109**. In one embodiment, each of the discrete moderating elements are disposed proximate to one or more detector assemblies **104** and are configured to moderate the energy of neutrons (and/or photons) impinging on one or more of the detector assemblies **104**. In another embodiment, the plurality of detector assemblies **104** and the plurality of discrete moderating elements **109** are disposed along a common axis.

In another embodiment, the detection system **100** includes a control system **108** communicatively coupled to an output of each of the detector assemblies **104**, or coupled to an output of the detection device **105** of each assembly **104**. In addition, the control system **108** may include one or more processing elements **110** (e.g., computer processor, FPGAs, ASICs, and the like). Further, the control system **108** may include, but is not limited to, a non-transitory storage medium **112** (i.e., memory medium) containing program instructions configured to cause the one or more processing elements **110** to carry out one or more of the various steps (e.g., system control steps, data analysis steps, and the like) described through the present disclosure.

In another embodiment, the one or more processing elements **110** of the control system **108** are configured to: receive one or more measured response signals from each of the detection devices **105** and determine (e.g., determine in real-time, near real-time, or delayed time) one or more characteristics (e.g., energy, energy spectrum, neutron source type, direction of neutron emanation, dose, flux, and the like) of one or more neutron sources **101** (e.g., a

characteristic of neutrons **103** or photon emanating from neutron source **101**) impinging on the one or more detection devices **105**. In another embodiment, the control system **108** may be communicatively coupled to a user interface device **116** (e.g., display device and user input).

It is noted herein that the spatial resolution of the locations of neutron and/or photon interaction events (e.g., capture, induced-fission or scattering events) within the detector **102** allows for the determination, by control system **108**, of one or more energy or spatial characteristics of the neutrons **103** and/or photons emanating from the neutron source **101**. The one or more energy or spatial characteristics include, but are not limited to, energy, energy spectrum, dose, source type, source configuration, source direction and/or source location.

It is noted herein that a moderating-type neutron spectrometer/detector configuration suitable for measuring one or more characteristics of a neutron source is described in U.S. patent application Ser. No. 13/694,104 to Steven Bellinger et al., filed on Oct. 29, 2012, which is incorporated by reference in the entirety above.

In one embodiment, the detection devices **105** of detector **102** are neutron detection devices. For example, the neutron detection devices used to form the individual detector assemblies **104** and, thus, the detector **102** include any neutron detection device known in the art. For example, the detection devices **105** may include, but are not limited to, semiconductor-based, scintillator-based, gas-based, bolometry-based or like neutron detection devices. Neutron detection devices are described generally in U.S. patent application Ser. No. 13/694,104 to Steven Bellinger et al., filed on Oct. 29, 2012, which is incorporated by reference in the entirety above.

In one embodiment, the one or more detection devices **104** may include, but are not limited to, microstructured semiconductor neutron detectors (MSNDs). In one embodiment, the MSND-based semiconductor devices of the present disclosure may include devices consisting of a semiconductor substrate including microscopic cavities (e.g., holes) etched into the semiconductor surface, whereby the etched cavities are subsequently filled with a neutron reactive material, such as ^{10}B or ^6LiF submicron powders. It has been shown that these devices may be capable of thermal detection efficiencies exceeding 35%.

In another embodiment, the MSND-based detection devices **104** of the system **100** may be formed by etching cavities into float-zone-refined (FZR) Si to produce a selected pattern (e.g., overall hexagonal or square pattern). The cavities may be etched so that they do not reach completely through the device. In this embodiment, holes or trenches of various shapes are etched into the semiconductor surface, wherein the trenches may extend across the semiconductor substrate and are etched almost through the substrate and are subsequently filled with neutron reactive material. Microstructured Neutron Detection devices are described in detail by McGregor et al. in U.S. Pat. No. 7,164,138, issued on Jan. 16, 2007, and U.S. Pat. No. 6,545,281, issued on Apr. 8, 2003, which are incorporated herein by reference in their entirety.

In another embodiment, the detector assemblies **104** of detector **102** are neutron-photon detector assemblies, which are capable of detecting both neutrons and photons (e.g., gamma rays or x-rays). In one embodiment, the neutron-photon detector assemblies are constructed from detector devices **105** capable of detecting both neutron events and photon events (e.g., gamma ray or x-ray events). For example, dual-purposed detection devices may include, but

are not limited to, germanium semiconductors, elpasolites, scintillator-type detectors and recoil based liquids or plastics that are capable of discriminating neutrons and photons by pulse shape. In this embodiment, the dual-purposed neutron-photon detection devices may provide information related to detected neutrons and photons to the control system **108** nearly simultaneously.

In another embodiment, a neutron-photon detector assembly may be formed through the combination of neutron-detection devices and photon-detection devices. In this regard, a portion of the detection devices **105** of a given detector assembly **104** are dedicated to neutron detection, while an additional portion of the detection devices of the given detector assembly **104** are dedicated to photon (e.g., gamma ray or x-ray) detection. In this regard, the neutron-dedicated devices and the photon-dedicated devices may operate in conjunction with one another or may operate as independent spectrometers with interlaced detection volumes. The neutron-dedicated portion of devices **105** may include any neutron detection devices noted previously herein. In addition, the photon-dedicated portion of devices **105** may include, but are not limited to, scintillator-type detection devices (e.g., gamma ray scintillator devices).

FIG. 1B illustrates system **100** equipped with a photon spectrometer **122** (or detector) located independently from the neutron spectrometer **102** (or detector), in accordance with one embodiment of the present disclosure. In this regard, the photon spectrometer/detector **122** (e.g., gamma ray spectrometer/detector) may be positioned separate from the neutron spectrometer/detector **102**. Such a configuration provides for independent measurement of neutrons and photons of a given neutron- and photon-emitting source. As described in more detail further herein, the data streams from the neutron spectrometer **102** and the photon spectrometer **122** may be combined, or fused, to generate an improved interrogation of the given neutron source. In another embodiment, the neutron spectrometer **102** and the photon spectrometer **122** may each be coupled to the control system **108**. In another embodiment, the control system **108** may cause the two spectrometers **102**, **122** to acquire neutron and photon data from the given source **101** with a selected measurement window (e.g., 1-10 seconds). It is noted herein that time-correlating neutron measurements with photon measurements increases the confidence in the given source **101** measurement.

It is noted herein that the photon spectrometer **122** and neutron spectrometer **102** may be arranged in any manner suitable for acquiring time- and space-correlated measurements of a given neutron/photon source **101**.

For example, the photon spectrometer **122** may be positioned in a user-worn backpack such that the photon spectrometer **122** is communicatively coupled to the control system **108** carried on the casing of the neutron spectrometer **102** (carried by the user). By way of another example, the photon spectrometer **122** may be positioned in a portion of the casing or assembly of the neutron spectrometer **102** (e.g., handle of the neutron spectrometer **102**) with the photon spectrometer **122** being communicatively coupled to the control system **108** carried on the body of neutron spectrometer **102**. By way of another example, the photon spectrometer **122** may be positioned adjacent to the neutron spectrometer **102** to form a compact neutron-photon detection instrument with the photon spectrometer **122** being communicatively coupled to the control system **108** carried on the body of neutron spectrometer **102**. In each of these embodiments, data from the neutron detector/spectrometer **102** may be fused with data from the photon detector/

spectrometer **122** by the control system **108** in order to enhance the characterization of the neutron- and/or photon-emitting source **101**.

Referring now to FIG. 1C, a simplified schematic diagram of one configuration of detector assemblies **104** and corresponding detection devices **105** is depicted, in accordance with one embodiment of the present disclosure. In one embodiment, the detection devices **104** of the neutron detection system **100** may be disposed within a volume of neutron moderating material **119** (e.g., continuous volume of moderating material or volume of moderating material formed with discrete moderating elements **109**). In an additional embodiment, as shown in FIG. 1C, one or more of the detector assemblies **104** may include two or more detection devices **105** (e.g., independent neutron and/or photon reactive elements) suitable for detecting impinging neutrons and/or photons.

In another embodiment, the plurality of detector assemblies **104** may be configured such that one or more of the detector assemblies **104** are aligned in a substantially parallel manner. For example, as shown in FIG. 1C, eight detection assemblies **104** are aligned such that the surfaces of the individual devices **105** are substantially parallel with respect to one another. For example, a first detector assembly, a second detector assembly, and up to and including an Nth detector assembly may be aligned such that the surfaces of the individual devices **105** are substantially parallel with respect to one another.

In another embodiment, the plurality of detector assemblies **104** of the detector **102** may include a 'stack' of a selected number of individual detector assemblies **104**. For example, a stack of a selected number of substantially planar and parallel aligned detector assemblies **104** may be disposed within a volume of a chosen neutron moderating material **119** (e.g., formed with a set of discrete moderating elements **109**). For instance, as shown in FIGS. 1A and 1E, a stack of eight substantially planar and parallel aligned detector assemblies **104** are disposed within a moderating material by arranging each of the detector assemblies **104** between two moderator slabs **109** (e.g., cylinders). It should be recognized by those skilled in the art that the use of eight assemblies is not a limitation and that the detection system **100** may employ any number of detector assemblies **104**, based on the specific demands on the detection system **100**. It is noted herein that increasing the number of detection device layers in the neutron detection system **100** may improve both neutron capture efficiency and neutron spectral and directional measurement accuracy up to the limit at which the moderator in between planar devices compromises the scattering-energy (i.e., moderation) relationship.

In another embodiment, the detector assemblies **104** may be positioned along a common orientation axis. For example, as shown in FIGS. 1A and 1C, the detector assemblies **104** may be spaced linearly along an axial direction. For instance, the detector assemblies **104** within a stack of detection assemblies **104** may be periodically spaced along a common axis at a selected interval (e.g., 0.25 to 5 cm interval). It should be recognized by those skilled in the art that the specific linear spacing interval of the detector assemblies **104** is not a limitation and that various spacing intervals may be used in the detection system **100**, with the specific spacing chosen according to specific efficiency, accuracy, and sensitivity requirements of the given system. By way of another example, the detector assemblies **104** of the detector **102** may be spaced nonlinearly along a common axis. For instance, the detector assemblies **104** may be spaced along a common axis at intervals of 0.5, 1.0, 1.5, 2.0,

3.0, 5.0, 7.5, 10, 15, and 20 cm, as measured from a front surface of the detector **102**. It should be recognized by those skilled in the art that the specific nonlinear spacing intervals of neutron detection devices **104** is not a limitation and that various spacing intervals may be used in the detection system **100**, with the specific spacing chosen according to specific efficiency, accuracy, and sensitivity requirements of the given system for a known incident neutron energy.

FIG. 1D illustrates a schematic view of the neutron detection system **100** of the present disclosure. FIG. 1E illustrates a schematic view of a detection assembly **104** including a set of detection devices **105** of the present disclosure.

In one embodiment, the moderating volume **119** may substantially encapsulate the detection devices **105**, as shown in FIG. 1B. In another embodiment, the moderating volume **119** may be formed with a set of discrete moderating elements **109**, such as, but not limited to, a set of cylinders or blocks of moderating material positioned between adjacent detection devices, as shown in FIGS. 1A and 1D. In one embodiment, in the case of a parallelepiped-shaped detector **102**, as shown in FIGS. 1A, 1C and 1D, a series of parallelepiped-shaped moderating elements (not shown) may be positioned between adjacent detector assemblies **104**. In another embodiment, as shown in FIGS. 1D and 1E, the parallelepiped-shaped detector assemblies **104** may be embedded in moderating elements having a cylindrical external shape. Applicants note that the present invention is not limited to the above examples, which are provided merely for illustrative purposes. It is recognized that the detection devices, detector assemblies and moderating elements/volume may take on any geometrical configuration suitable for neutron and/or photon detection. A variety of geometrical configurations are described in U.S. patent application Ser. No. 13/694,104 to Steven Bellinger et al., filed on Oct. 29, 2012, which is incorporated by reference in the entirety above. A variety of geometrical configurations are also described in U.S. patent application Ser. No. 13/391,585 to Anthony Caruso et al., filed on Feb. 21, 2012, which is incorporated by reference herein in the entirety.

Suitable neutron moderating materials include materials with a high content of low atomic weight atoms having a relatively large cross section for neutron scattering but a relatively low neutron capture cross sections, such as hydrogen, boron-11, beryllium, carbon and nitrogen. For example, suitable moderator materials include, but are not limited to, elemental, compounded, or mixture form of water (e.g., light or heavy), organic compounds, such as carbon-based polymers (e.g., plastics, polyethylene, high density polyethylene, and the like), granular inorganic materials, and graphite. For instance, each of the moderator elements **109** of the detector **102** may be formed from high density polyethylene (HDPE). It should be recognized that the use of a HDPE as a neutron moderator is not a limitation and that the neutron detector assemblies **104** may be embedded or surrounded by other suitable neutron moderating materials. It will be recognized by those skilled in the art that the choice of neutron moderator material will depend on the exact purposes of the given neutron detection system **100** and different moderators may be more or less suitable in different contexts (e.g., size limitations, portability requirements, energy sensitivity requirements, or directional sensitivity requirements). The use of HDPE and other moderator materials for moderating neutrons in a neutron detection setting is described in U.S. Pat. No. 7,514,694 filed on Jun. 19, 2007, which is incorporated herein by reference in the entirety.

FIGS. 1F-1G illustrate an alternative configuration of system 100, where linear detection strips 115 are implemented. Each detection strip 115 includes a set of detection devices 105.

FIG. 1H illustrates an additional schematic view of a detector 102 of system 100, in accordance with one embodiment of the present disclosure. In one embodiment, the detector region 117 of the detector is formed with the arrangement of a plurality of strip detection elements 115 in a selected pattern. The pattern used to position the detection elements 115 may be chosen to optimize (or at least improve) one or more selected measurement parameters.

In one embodiment, the arrangement of the detector region 117 was designed using a combination of Monte Carlo N-Particle (MCNP) simulation and Genetic Algorithm (GA) methods. The method generates and parses MCNP simulations according to a selected decision making criteria. In the example shown in FIG. 1H, the simulations used 128 detector boards with 1x4 linear strips 115 of 1-cm² detectors. The figure of merit was selected such that the genetic algorithm optimized the intrinsic efficiency of the device to 252-Cf and AmBe, as well as optimizing the difference in the response to 252-Cf and AmBe. The arrangement seeks to achieve an increase in detected neutrons, while making the device signatures (used in the cross correlation methods) look less alike. In one embodiment, the detector strips 115 were variably spaced along all 3 axes in the moderating volume 121. In this regard, each layer along an axis, may be closer or further spread out from the previous and/or next layer. Such an arrangement shows improved efficiency and device response, when there are more detectors positioned around the region to which the peak emission rate as a function of energy is probabilistically most likely to thermalize in the given moderator (e.g., HDPE). For example, 252-Cf peak emission is approximately 1 MeV, the mean free path for thermalization in HDPE is roughly 5-9 cm, AmBe has a peak emission of approximately 2 MeV and a mean free path of approximately 8-14 cm. As such, preferentially locating more detectors in the range of 5-15 cm increases efficiency and decreases the similarity of the responses of the two sources. In another embodiment, the similarity of the two sources may also be decreased by variable spacings (e.g., a large grouping of detectors in the rear of the device). In another embodiment, preferentially locating detector strips 115 at the front of the moderator 121 may lead to an improvement in efficiency.

FIG. 2A illustrates a method for determining the direction to a neutron source, in accordance with one or more embodiments of the present disclosure. In a first step 202, one or more neutrons emanating from a neutron source are detected. For example, as shown in FIG. 2B, neutrons 103 emanating from a given neutron source 101 may be detected with one or more of detection devices 105 of the neutron detector/spectrometer 102. In a second step 204, based on the measured neutron detection events, the direction 203 to the one or more neutron sources 101 may be determined. In this regard, the direction 203 to the one or more neutron sources 101 is measured relative to fixed reference point of the neutron detector/spectrometer 102, as shown in FIG. 2B. For example, upon measurement of one or more neutrons from the neutron source 101, the detection devices 105 may transmit one or more response signals to the control system 108 (e.g., processing element 110 of control system 108). In turn, the control system 108 may determine the direction 203 to the one or more neutron sources 101 relative to a fixed reference point of the detector/spectrometer 102 via one or more analysis procedures.

In one embodiment, the direction to a neutron source 101 may be determined via a vectorization procedure.

It is noted herein that the vectorization procedure of the present disclosure serves to resolve the direction of a neutron source 101 assuming a directional neutron source 101 will induce an asymmetrical thermal neutron flux within the moderating volume 109 of the spectrometer/detector 102, with devices 105 in regions of the spectrometer 102 nearest to the source being preferentially stimulated, regardless of neutron energy. For example, if a source of any energy is placed in front of the spectrometer/detector 102, the system 100 measures a higher thermal flux (and thus neutron counts) on the front half of the spectrometer/detector 102 than on the back half of the spectrometer/detector 102.

The vectorization procedure of the present disclosure takes advantage of this behavior by the assigning each detection device 105 a unit vector, which describes its relative spatial coordinates within the spectrometer/detector 102, expanding if necessary, and then normalizing the vectors. These unit vectors may then be weighted by the counts on each detection device 105. These count-weighted positional vectors are then summed, resulting in vectors which point in the direction of the favored asymmetry in the device, and whose magnitude is a measure of such asymmetry.

FIG. 2C illustrates a process flow diagram 210 depicting the vectorization procedure 210, in accordance with one or more embodiments of the present disclosure. In a first step 212, the controller 108 defines each detection device 105 (D_i) by its spatial position vector relative to the center of the spectrometer/detector 102 (\vec{D}_i). For example, the set of spatial vectors of step 212 are depicted conceptually in graph 230 of FIG. 2D.

In a second step 214, the controller 108 expands each position vector (\vec{D}_i) for purposes of establishing symmetry (or by other optimization factors) and normalizes the position vectors to generate a set of detector unit vectors (\vec{U}_i). For example, the set of detector unit vectors of step 214 are depicted conceptually in graph 231 of FIG. 2E.

In a third step 216, the system 100 begins collecting neutron counts from the neutron source 101 (or generally from the environment).

In a fourth step 218, the controller 108 may multiply each detector unit vector (\vec{U}_i) by counts collected by the given device 105 in a given time bin to form a set of count vectors. For example, the set of count vectors of step 218 are depicted conceptually in graph 232 of FIG. 2F.

In a fifth step 220, the controller 108 may sum over all count vectors in a selected time bin (\vec{V}_i) to produce a net vector (\vec{V}). It is noted that the direction of the net vector corresponds to the favored count direction and has a magnitude proportional to the count asymmetry within the spectrometer/detector 102. For example, the net vector of step 220 is depicted conceptually in graph 233 of FIG. 2G.

In a sixth step 222, the controller 108 may average the net vectors (\vec{V}_i) over a selected number of collection periods (n) to generate a window-averaged net count vector (\vec{V}_{avg}).

In a seventh step 224, the collecting of neutron counts terminates. For example, once the user (or programmed controller 108) determines sufficient neutron count data has been collected to adequately determine the direction to the neutron source 101, the control system 108 may terminate neutron count collection.

11

In another embodiment, upon determining a direction to the neutron source **101**, the control system **108** may display a visual indicator (e.g., arrow) indicative of the direction of the neutron source **101** from a reference point of the detector **102** (e.g., front face of the detector).

FIG. 2H illustrates a graph **234** of measurement angle values found using the vectorization procedure **210** plotted against the actual, or “true,” angle of the neutron source from the detector **102**. It is noted that the data depicted in graph **234** was acquired in an effort to validate the vectorization procedure **210** described herein. The data of graph **234** was acquired utilizing a neutron detector/spectrometer configuration similar to that depicted in FIGS. 1A, 1B and 1E. In these experiments, the detector/spectrometer **102** was placed 2 m from an AmBe neutron source at multiple different fixed source-to-spectrometer angular orientations. These orientations correspond to the “True Angle” values shown in graph **234**. Further, the vectorization procedure **210** described previously herein was carried out using the control system **108** to acquire a “Measured Angle” for each angular orientation. The high level of agreement between the True Angle and Measured Angle values suggests the vectorization procedure **210** of the present disclosure serves as a high quality approach for determining source position with the detector/spectrometer **102** of the present disclosure.

In another embodiment, the direction to a neutron source **101** may be determined via a detection volume ratio procedure (e.g., octant comparison procedure), as shown in FIGS. 2I-2J.

In another embodiment, the direction to a neutron source **101** may be determined via a template matching procedure, such as but not limited to, a cross-correlation procedure, as depicted in FIG. 2K-2M.

FIG. 2C illustrates system **100** equipped with an additional neutron detector/spectrometer **212** for determining a location of one or more neutron sources, in accordance with one or more embodiments of the present disclosure. In one embodiment, the additional detector **212** is positioned at an independent location from the neutron detector **102**, as shown in FIG. 2C. In another embodiment, the additional neutron detector **212** is configured to determine the direction **205** from the additional neutron detector **212** to the one or more neutron sources **101**. Again, the direction **205** to the one or more neutron sources **101** may be measured relative to a fixed reference point of the additional neutron detector **212**. In another embodiment, the location **207** of the neutron source **101** is determined by identifying the position of intersection of the lines defining direction **203** and direction **207**. In this regard, the control system **108** may identify the real-space intersection point of the lines defining direction **203** and direction **207** and convert the given position to a relative geographical position relative to one of the detectors **102,212** or an absolute geographical position displayed on the user interface **116** or transmitted to a portable communication device (e.g., smartphone, tablet, lap-top and etc.) or a remote server coupled to the control system **108** via a network (e.g., intranet or internet) (not shown).

It is further noted that the same detector **102** could identify a source at two or more different detector positions. The controller **108** may then log the real position of the detector for each measure and then after a second (or more measurements) can determine the intersection point of the direction vectors from those two points to find the source position.

It is noted herein that the directional and locational analysis described herein is not limited to the specific architecture described in FIGS. 2B and 2C and it is recog-

12

nized herein that a variety of analogous architectures may be utilized to carry out direction and location determination. Further, while the present disclosure has focused on direction and location determination through the detection of neutrons with detection devices **105** of detector assemblies **104**, it is recognized herein that direction and location determination may be carried out through the analogous detection of photons (e.g., gamma rays or x-rays) with one or more detection devices suitable for photon detection. For example, the detection devices **105**, as previously noted herein, may be suitable for detecting both neutrons and photons. In this case, direction and location analysis may be carried out via the detection of neutrons, the detection of photons (e.g., gamma rays or x-rays) and/or the hybrid detection of neutrons and photons.

In another embodiment, the application of a machine learning procedure may be used to optimize (or at least improve) the accuracy of the vectorization procedure **210** described previously herein. Artificial Neural Networks (ANN) represent one class of problem solving tools in machine learning. Such an approach may implement a backpropagation method. The backpropagation method is described generally in R. Rojas, “The backpropagation algorithm”, Springer Berlin Heidelberg, *Neural Networks* (1996) 149-182, which is incorporated herein by reference in the entirety.

FIG. 3A illustrates a process flow diagram **300** determining one or more neutron source characteristics via a multi-dimensional cross-correlation procedure, in accordance with one or more embodiments of the present disclosure. It is noted herein that method **300** may be, but is not required to be, carried out with any of the system-level embodiments of the present disclosure, such as, but not limited to, system **100**. It is noted herein that the multi-dimensional cross-correlation procedure of the present embodiment may be extended to determine neutron source direction and localization, neutron source identification, neutron source proximity and/or kinetic energy of neutrons emanating from the neutron source.

In a first step **302**, the control system **108** (or a remote computer system) generates a set of spectrometer response functions. For example, the control system **108** may perform a number of MCNP simulations to simulate a set of response functions for detector **102**. The generated responses functions may be represented by:

$$R((x_i, y_j, z_k), E)$$

In a second step **304**, the system **100** may generate a library of responses associated with various neutron sources and shield variants. The library of responses associated with the various neutron sources and shield variants may be represented by:

$$\Phi^{S1}(E), \Phi^{S2}(E), \dots, \Phi^{Sm}(E)$$

In a third step **306**, the control system **108** folds each spectrum associated with the responses of step **304** into the generated responses of step **302** to form an expected count distribution for each source. The expected count distributions for each source may be represented by:

$$N^{S1}(x_j, y_j, z_k) = \sum_E R(x_i, y_j, z_k, E) \Phi^{S1}(E)$$

⋮

-continued

$$N^{Sm}(x_i, y_j, z_k) = \sum_E R((x_i, y_j, z_k), E) \Phi^{Sm}(E)$$

In a fourth step **308**, the control system **108** dimensionally groups each expected count distribution. In this regard, the expected count distributions may be grouped into 1-D, 2-D, 3-D or any dimensional groupings. FIG. **3B** illustrates a conceptual view **320** of the detection devices **105** and the grouping of expected counts in a 1D grouping, while FIG. **3C** illustrates a conceptual view **330** in a cylindrical coordinate grouping scenario. The grouping of step **308** may be represented by:

$$N^{Sl}(x_i) = \sum_{k=1}^{n_z} \sum_{j=1}^{n_y} N^{Sl}(x_i, y_j, z_k),$$

$$N^{Sl}(r_p, x_i) = \sum_{q=1}^{n_\theta} N^{Sl}(r_p, \theta_q, x_i),$$

$$N^{Sl}(x_i, y_j, z_k) \text{ [no grouping],}$$

for $l = 1, 2, \dots, m$

In a fifth step **310**, the system **100** acquires a measurement of a neutron source **101** with spectrometer/detector **102**.

In a sixth step **312**, the control system **108** dimensionally groups the measurement count distributions. It is noted that this step may be carried out in a manner similar to step **308**.

In a seventh step **314**, the control system **108** performs a cross-correlation procedure between the measured count distributions of step **312** and the expected count distributions of step **306**. Further, a coefficient of determination may be calculated between the measured count distribution and each of the expected count distributions. For example, the Pearson product-moment cross-correlation coefficient may be calculated between the measured count distribution and each of the expected count distributions. The corresponding coefficients of determination may be represented by:

$$r_{M,Sl}^2(x) = \left[\frac{1}{n_x} \cdot \sum_{i=1}^{n_x} \frac{N^M(x_i) - \overline{N^M(x)}}{\sigma_{N^M(x)}} \cdot \frac{N^{Sl}(x_i) - \overline{N^{Sl}(x)}}{\sigma_{N^{Sl}(x)}} \right]^2, \tag{1D}$$

$$r_{M,Sl}^2(r, x) = \left[\frac{1}{n_r n_x} \cdot \sum_{i=1}^{n_x} \sum_{p=1}^{n_r} \frac{N^M(r_p, x_i) - \overline{N^M(r, x)}}{\sigma_{N^M(r, x)}} \cdot \frac{N^{Sl}(r_p, x_i) - \overline{N^{Sl}(r, x)}}{\sigma_{N^{Sl}(r, x)}} \right]^2, \tag{2D}$$

$$r_{M,Sl}^2(x_i, y_k, z_k) = \left[\frac{1}{n_x n_y n_z} \cdot \sum_{k=1}^{n_z} \sum_{j=1}^{n_y} \sum_{i=1}^{n_x} \frac{N^M(x_i, y_j, z_k) - \overline{N^M(x, y, z)}}{\sigma_{N^M(x, y, z)}} \cdot \frac{N^{Sl}(x_i, y_j, z_k) - \overline{N^{Sl}(x, y, z)}}{\sigma_{N^{Sl}(x, y, z)}} \right]^2, \tag{3D}$$

for $l = 1, 2, \dots, m$; where $\overline{N(\cdot)}$ = average of $N(\cdot)$ and $\sigma_{N(\cdot)}$ = standard deviation of $N(\cdot)$

FIG. **3D** illustrates the output **340** of a 2-D cross-correlational analysis with neutron intensity counts plotted along X and radial positions.

FIG. **4A** illustrates a process flow diagram **400** depicting a method for estimating neutron dose based on a cross-correlation procedure, in accordance with one embodiment of the present disclosure. It is noted herein that method **400** may be, but is not required to be, carried out with any of the system-level embodiments of the present disclosure, such as, but not limited to, system **100**.

In a first step **402**, a library of response functions for the various detection devices **105** of a detector **102** are formed. For example, a library of response functions may conceptually be described as $X = x_1, x_2, \dots, x_n$. Table I below is illustrative of a library of response functions that may be stored in the memory of controller **108**.

TABLE 1

Example Neutron Source/Dose Library for Rem Application						
Library	RESPONSE LIBRARY - CROSS CORRELATION VALUES					
Entry	Source Type	Det1	Det2	Det3	Det4	Det5
1	Cf-252 (PTB)	1.343876	1.578737	0.429342	-0.25382	-0.59475
2	AmBe (PTB)	1.404794	1.535048	0.384746	-0.23663	-0.5588
3	D2O Cf-252 (PTB)	1.560856	1.589148	0.023256	-0.50198	-0.63259
4	Fe mod Cf-252 (TKO)	-0.31483	1.782693	1.207828	0.206156	-0.41615
5	C mod Cf-252 (TKO)	-0.13707	1.967227	0.99478	0.024912	-0.47453
6	PE mod Cf-252 D = 29.2 cm (JINR)	2.42906	0.099216	-0.29041	-0.39678	-0.44022
7	PE mod Cf-252 D = 12.7 cm (JINR)	2.341342	0.400279	-0.18581	-0.40477	-0.49631
8	PuBe (LANL)	0.697246	1.51383	0.901816	0.253316	-0.32199
9	H2O PuBe (LANL)	2.234504	0.668738	-0.17462	-0.3952	-0.50322
10	D2O PuBe (LANL)	2.240112	0.700085	-0.29183	-0.47838	-0.52416
11	PE + Fe mod CF-252 (NRI)	2.412005	0.184507	-0.30217	-0.40735	-0.45008
12	Fe mod CF-252 (NRI)	-0.32067	1.78174	1.206608	0.209844	-0.40922
13	BWR 2 (Caorso)	0.257096	2.127557	0.641265	-0.25924	-0.58961
14	PWR 2 (Wolf Creek)	1.767952	1.422345	-0.18	-0.5313	-0.60638
15	PWR 5 (Wolf Creek)	1.566242	1.618661	-0.09403	-0.54263	-0.62682
16	Med Accel 1 (Microtron)	0.210084	1.982579	0.870293	-0.09284	-0.55475
17	35 MeV Cyclotron 1 (TKO)	1.412837	1.625065	0.266263	-0.38654	-0.63254

TABLE 1-continued

Example Neutron Source/Dose Library for Rem Application						
Library	Source Type	RESPONSE LIBRARY - CROSS CORRELATION VALUES				
		Det6	Det7	Det8	RefDeT	Dose
1	Cf-252 (PTB)	-0.75886	-0.84441	-0.90011	2	109.6261
2	AmBe (PTB)	-0.73635	-0.84839	-0.94442	2	149.5408
3	D2O Cf-252 (PTB)	-0.66808	-0.68147	-0.68913	2	21.23168
4	Fe mod Cf-252 (TKO)	-0.70883	-0.84213	-0.91473	2	168.3532
5	C mod Cf-252 (TKO)	-0.69861	-0.80589	-0.87083	2	122.7994
6	PE mod Cf-252 D = 29.2 cm (JINR)	-0.45887	-0.46796	-0.47402	1	11.50454
7	PE mod Cf-252 D = 12.7 cm (JINR)	-0.53491	-0.55364	-0.56617	1	22.99412
8	PuBe (LANL)	-0.73361	-1.02604	-1.28456	2	303.7002
9	H2O PuBe (LANL)	-0.56832	-0.61204	-0.64984	1	47.14916
10	D2O PuBe (LANL)	-0.5409	-0.54953	-0.5554	1	10.2954
11	PE + Fe mod CF-252 (NRI)	-0.47007	-0.48023	-0.48661	1	11.93445
12	Fe mod CF-252 (NRI)	-0.70394	-0.84244	-0.92192	2	171.9183
13	BWR 2 (Caorso)	-0.69599	-0.73227	-0.74881	2	52.22014
14	PWR 2 (Wolf Creek)	-0.62179	-0.625	-0.62583	1	8.454655
15	PWR 5 (Wolf Creek)	-0.6393	-0.64095	-0.64118	2	4.251327
16	Med Accel 1 (Microtron)	-0.74148	-0.81789	-0.856	2	97.68898
17	35 MeV Cyclotron 1 (TKO)	-0.72673	-0.76763	-0.79072	2	58.81061

In this regard, a neutron source/dose library may be provided with the system 100 for use in estimating the dose-equivalent based on the similarity between measured and reference responses. Note that the first eight values provided in the library are not counts, but rather represent translated values, which are more suitable for use in cross-correlation calculations in order to reduce processing requirements. Values nine and ten are reserved for dose determination following positive source identification.

In a second step 404, a measurement of a neutron source 101 is performed and a set of response functions are acquired with the detection devices 105 of a detector 102. Conceptually, the acquired response functions may be represented as $Y=y_1, y_2, \dots, y_n$.

For example, a 252-Cf source, which imposes a flux, $\phi=100$ neutrons $\text{cm}^{-2} \text{sec}^{-1}$, incident on the face of the spectrometer, at a sample time of 15 seconds, the yield the count profile in Table 2 below would result.

TABLE 2

Spectrometer Response (Count Profile) to a 252-Cf source								
	Det1	Det2	Det3	Det4	Det5	Det6	Det7	Det8
Counts	3245	3507	1863	934	463	225	100	25

Note that this combination of source and fluence/flux corresponds to a dose-equivalent of 3.86×10^5 pSv, or dose-equivalent rate of 9.65×10^4 pSv/min.

Given the count profile in Table 2 as sampled by the spectrometer, it is desirable to determine the corresponding dose-equivalent. This can be done by comparing the sampled count profile to the M reference profiles stored in the neutron source/dose library using a normalized cross-correlation analysis that takes the form.

In step 406, a cross-correlation analysis between the measured response functions and the library response functions is performed. In one embodiment, given a library function vector and a measured function vector, a mean $(\bar{x},$

$\bar{y})$ and standard deviation (σ_x, σ_y) for both the library function vector X and the measured function vector Y may be calculated. Further, the norm of each vector may be calculated by subtracting the mean from each term and dividing by the standard deviation. In another embodiment, cross-correlation may be determined via the summation of the norm term products for all X and Y through the following relationship:

$$R_{cc} = \frac{1}{n-1} \sum_{i=1}^n \frac{(x_i - \bar{x})(y_i - \bar{y})}{\sigma_x \sigma_y}$$

Specifically, in terms of detector number and reference profile, the cross-correlation score may be expressed as:

$$\text{Score}_j = \frac{1}{N-1} \sum_{i=1}^N \left(\frac{\text{det}_i - \bar{\text{det}}}{\sigma_{\text{det}}} \right) \left(\frac{\text{ref}_{i,j} - \bar{\text{det}}_j}{\sigma_{\text{det},j}} \right); j = \text{source 1 to source } M$$

where i refers to the detector number (det1-det8) and j refers to the reference profile (Cf-252, AmBe, etc.). The above calculation may be performed for each of the M reference profiles to generate a series of scores between -1 and 1. The reference profile that receives the highest score is deemed the closest match to the sampled count profile and will be used to estimate the dose-equivalent with values nine and ten. Note that the right most expression in parenthesis of the above cross-correlation calculation may be performed offline and is reflected in the values 1-8 in the neutron source/dose library in Table I.

The count profile in Table 2 is used to calculate a vector from the left most expression in parenthesis of the above cross-correlation calculation. Results are shown in Table 3 below.

TABLE 3

Vector of Count Profile Minus Mean Over Standard Deviation								
	Det1	Det2	Det3	Det4	Det5	Det6	Det7	Det8
Counts	1.340643	1.588663	0.413017	-0.24767	-0.59238	-0.76263	-0.8453	-0.89435

In another embodiment, the score for each source can be individually calculated by taking the inner product of the Table 3 vector and values 1-8 in the neutron source/dose reference library. The resulting cross-correlation scores are shown in Table 4 below.

TABLE 4

Normalized Cross-Correlation Scores for Count Profile		
Library Entry	Source Type	CC Score
1	Cf-252 (PTB)	0.999967
2	AmBe (PTB)	0.999125
3	D2O Cf-252 (PTB)	0.975386
4	Fe mod Cf-252 (TKO)	0.739264
5	C mod Cf-252 (TKO)	0.802873
6	PE mod Cf-252 D = 29.2 cm (JINR)	0.688955
7	PE mod Cf-252 D = 12.7 cm (JINR)	0.782087
8	PuBe (LANL)	0.916546
9	H2O PuBe (LANL)	0.844841
10	D2O PuBe (LANL)	0.828226
11	PE + Fe mod Cf-252 (NRI)	0.70987
12	Fe mod Cf-252 (NRI)	0.737565
13	BWR 2 (Caorso)	0.88892
14	PWR 2 (Wolf Creek)	0.944068
15	PWR 5 (Wolf Creek)	0.96299
16	Med Accel 1 (Microtron)	0.880679
17	35 MeV Cyclotron 1 (TKO)	0.995212

By way of non-limiting example, upon examination of the Normalized Cross-Correlation Scores in Table 4, the Cf-252 (PTB) reference source exhibits the highest value of 0.999967, implying that it is the closest match to the sampled count profile. In turn, values 9 and 10 from the Cf-252 (PTB) library row may be used to estimate the dose-equivalent. Based on Table 1, value 9 corresponds to "2" and value 10 corresponds to "109.6261". As such, the controller 108 may multiply the total number of counts as recorded by detector 2 (per value 9) by 109.6261 (per value 10) to reach the dose-equivalent in pSv. Based on Table 2, detector 2 has recorded 3507 counts during the 15 second sample time. Therefore, the estimated dose equivalent over 15 seconds is given by:

$$\text{Dose Equivalent} = 3507 \times 109.6261 = 3.8446 \times 10^5 \text{ pSv}$$

In mrem this corresponds to the following:

$$\text{Dose Equivalent} = 3.8446 \times 10^5 \text{ pSv} \times \frac{10^{-7}}{1 \text{ pSv}} = 3.8446 \times 10^{-2} \text{ mrem}$$

It is noted herein that one or more of the various machine learning techniques described previously herein may be applied to the present embodiment in order to improve the performance of system 100 during a dose equivalent determination process. In addition, one or more multi-dimensional cross-correlation methods described previously herein may be applied to the present embodiment in order to improve the performance of system 100 during a dose equivalent determination process.

FIG. 4B illustrates a graph 410 of library response vectors and measured response vectors as a function of dosimeter element number.

FIGS. 5A-5C illustrates a series of process flow diagrams depicting methods 500, 510, 520 for fusing photon-energy-sensitive measurements, in accordance with one or more embodiments of the present disclosure. It is noted herein that the spectrometers 1 . . . N may include gamma ray scintillators 1 . . . N. Each of these gamma ray scintillators may measure a different pulse height spectrum, which can be viewed in terms of probability distributions for the measured data, N1, . . . , Nn, from each scintillator. These probability distributions will be denoted P(N1), . . . , P(Nn). In the first two data fusion methods, utilizing each scintillator's unique response matrix (as well as any "a priori" information that's available), the pulse height spectra will be separately deconvolved, using any one of a multitude of possible deconvolution algorithms. Each scintillator's deconvolution process will result in a local posterior probability distribution of the fluence vector, phi, given the measurement data (pulse-height spectrum), N. These local posterior conditional probability distributions are denoted P(phi|N1), . . . , P(phi|Nn) in the diagrams for the first two methods, corresponding to scintillator 1, . . . , scintillator n.

FIG. 5A illustrates a linear opinion pool procedure. In this method, these local posterior conditional probability distributions for phi given N are then combined ("fused") using the weighted sum $P(\text{phi}|N1, \dots, Nn) = w1 * P(\text{phi}|N1) + \dots + wn * P(\text{phi}|Nn)$, where $w1 + \dots + wn = 1$, and $w1, \dots, wn$ are chosen to subjectively represent the relative reliability of each scintillator measurement. The resulting $P(\text{phi}|N1, \dots, Nn)$ is the global posterior conditional probability distribution of the fluence vector, phi, given all of the measured pulse height spectrum data, N1, . . . , Nn.

FIG. 5B illustrates an independent opinion pool procedure. In this method, the independent opinion pool, is similar except that the combination ("fusion") method is a normalized product instead of a weighted sum. The global posterior conditional probability distribution is given by $P(\text{phi}|N1, \dots, Nn) = \text{alpha} * [P(\text{phi}|N1) * \dots * P(\text{phi}|Nn)]$, where alpha is a normalization constant.

FIG. 5C illustrates a likelihood opinion pool procedure. This method involves the combination of a priori information with the likelihood functions for each pulse height spectrum given a guess of the fluence vector, P(Ni|phi), (instead of local posterior conditional probability distributions) to iteratively obtain a global posterior conditional probability distribution P(phi|N1, . . . , Nn).

It is noted herein that utilizing the process described above it is straightforward to combine the output of two or more neutron detector devices. In addition, adapting the above processes allows for the combination of the output of one or more neutron detectors with the output of one or more photon detectors (e.g., gamma ray scintillators). It is noted that orthogonality/complementarity aspect of this approach is based on the fact that the noise, artifacts and intensity vs. X plots obtain from neutron data are very different from the gamma-ray transduction process, so the overlap of those

signatures is more powerful than in the gamma or neutron response function fusion alone.

FIG. 6A illustrates a method 600 for optimizing detector position of the spectrometer 102, in accordance with one or more embodiments of the present invention. Steps 1-5 in 600

may be carried out by a separate remote computer system. A new method has been developed in which makes a single assumption, that the placement of a detector has a negligible effect on the response functions of other detectors in the spectrometer. For example, if we add a single detector in the front of the spectrometer, there is a negligible effect on a detector that is nearby. Given this assumption is true, we can reduce the moderator-detector-absorber optimization problem to just a moderator-absorber optimization problem by using a genetic algorithm to handle the detector placement optimization for a given moderator-absorber configuration. One can use intuition and experience for generating a moderator-absorber configuration for the spectrometer, and then to divide the moderator into detector-equivalent regions (i.e. voxels). regions are referred to as voxels and virtual detectors, as no detection material is actually simulated, but one can calculate a detector response from the flux through the voxel, as if a detector had actually been placed at that location. A single MCNP study is then performed to calculate the response functions for the entire moderating volume in each voxel. This allows one to look at the neutron flux through the entire available space for detector placement with a single MCNP study. A genetic algorithm is then designed to evolve sets of virtual detectors to include in the calculation of the optimization metric. This optimization metric may include a cross correlation score with known spectra, condition number of the resulting response matrix, resolving power for selected energies, intrinsic efficiency, or any other metric that will improve the effectiveness of the spectrometer design. The output of the genetic algorithm is thus a set of detector positions that will maximize the metric, providing optimized detector positions for the given moderator-absorber configuration. This dramatically reduces the parameter space for spectrometer optimization. The following example is for a 20 cm spherical moderator with cadmium shells of 0.5 mm thickness at every 5 cm mark within the sphere. The sphere was divided into 400 shells, also 0.5 mm thick, to represent potential positions for detector placement. Although the area of each shell is not equivalent to a 1 cm² MSND, the response functions are normalized to the surface area of each shell to account for area.

FIG. 6B illustrates a spherical modeling volume 610. Each dashed line corresponds to a cadmium absorber shell. Each solid black line corresponds to a virtual detector shell. This is the "seed" of the genetic algorithm. It may only choose from those virtual detector shells (black lines) which correspond to a response function. FIG. 6C illustrates a graph 620 of response functions that correspond to the most fit detector selections chosen by the genetic algorithm (see below). This is the actual final spectrometer response matrix generated by the genetic algorithm. FIG. 6D illustrates an output of the genetic algorithm. When the genetic algorithm finishes, there are X number of detector positions selected as the most optimal configuration of detector placement within the moderating absorber shells. This diagram represents this "most fit" configuration.

FIGS. 7A-7E illustrate the use of a shadow shield. The presence of background and/or room-scattered neutrons can contribute negatively to the spectrometer's ability to correctly identify and locate a source of interest. Neutrons that enter into the spectrometer through un-desired faces (i.e.

other than the front face of the system) that are counted are indistinguishable from those that enter through the front face of the detector with high energy. The result of this phenomenon is an incorrectly shifted energy spectrum. A simple, though problematic, solution is to shield the detector system on all sides that are not the front face using moderator-absorber combination. Typically, these materials are comprised of borated polyethylene and/or moderator-cadmium alternating pairs. Shielding materials of this type are heavy, which is an undesirable characteristic for a portable device. Furthermore, though energy-spectrum information is preserved, directionality is lost and the device becomes blind to sources that are not directly in front of the detector. A second potential solution is the addition of a witness detector that is constructed exactly as the individual elements of the spectrometer but whose count rate is considered separately from other spectrometer detector elements. The witness detector would be blind to line-of-sight neutrons and would thus yield background and room scatter neutrons. Described here are these two potential solutions to the issue of background and/or room scattered neutrons.

The use of a 'shadow shield' would yield the line-of-sight neutron contribution by reducing a shielded measurement from the total measurement. The shadow shield would be used to yield information about the background and room-scattered neutrons by eliminating the line-of-sight contribution to the count rate. If the location of the source under investigation is known, a shadow shield placed between the detector and the source allows for accurate measurement of the room scatter and background neutron contribution, shown in FIG. 5.a.1. The line-of-sight contribution can then be determined by subtracting the shadow shield measurement from the total measurement, effectively calibrating background and room-scatter contributions from the spectral data. The shadow shield can be comprised of many materials, but should primarily consist of alternating neutron moderator, neutron absorber layers to thermalize and absorb incident neutrons. An example of a shadow shield and expected response in FIGS. 7A-7E.

Though the deployment of a shadow shield yields good results, the downfalls of the shadow shield method for reducing background are increased measurement time and increased detector weight. In order to produce a well-calibrated spectrum, two measurements are required which effectively doubles the necessary investigation time for a given source. This is assuming that the location of the source is even known to the user at the time of the measurement. Furthermore, the added weight of the shadow shield can be significant and represent a large fraction of the total weight of the system. To mitigate these issues, a 'witness' detector can be added to the system whose sole purpose is to continually measure and subtract background and room-scattered neutron contribution. This witness detector can be included on the detector assembly itself or can be kept separate from the assembly and is constructed exactly as the other elements of the spectrometer, as shown in FIG. 5.a.4 and FIG. 5.a.5. The witness detector will produce a single count rate that is then subtracted from each channel individually, as shown in figures.

Depicted is the deployment of a 'shadow shield' where background and room-scattered neutron measurements are reduced from the line-of-sight information. Shown here, (A) depicts neutrons emitted from the source towards the detector that are scattered away by the shield, (B) those that are absorbed within the shield, (C) those that are scattered from the surrounding environment into the detector, and (D)

background neutrons. With the shadow shield removed, line-of-sight neutrons (E) can again be counted.

Depicted is a schematic of a possible shadow shield, populated with alternating layers of neutron moderator and neutron absorber. The moderator materials used can include, but are not limited to, high-density polyethylene, water, and wax and the absorber materials can include cadmium, boron-10, and lithium-6. The materials can also include those wherein absorbing material is included within the moderator matrix such as borated or lithiated polyethylene. Shown are the various cases of neutron transport through the shield, were (A) high-energy neutrons are scattered out of the shield, away from the detector, (B) high-energy neutrons are thermalized and absorbed within an absorbing medium, and (C) low-energy neutrons are absorbed without other interaction within the shield.

Depicted is a schematic of a possible output spectrum from two separate measurements of an isotropically-emitting neutron source within a closed, concrete environment. The 'total neutron measurement' is the result of a combination of line-of-sight, background, and room-scattered neutrons. The 'net-neutron measurement' is produced by subtracting the count rates of each channel reported with the shadow shield in place from those from the 'total neutron measurement.' The resulting spectrum is the neutron energy spectrum emitted by the source.

Though the deployment of a shadow shield yields good results, the downfalls of the shadow shield method for reducing background are increased measurement time and increased detector weight. In order to produce a well-calibrated spectrum, two measurements are required which effectively doubles the necessary investigation time for a given source. This is assuming that the location of the source is even known to the user at the time of the measurement. Furthermore, the added weight of the shadow shield can be significant and represent a large fraction of the total weight of the system. To mitigate these issues, a 'witness' detector can be added to the system whose sole purpose is to continually measure and subtract background and room-scattered neutron contribution. This witness detector can be included on the detector assembly itself or can be kept separate from the assembly and is constructed exactly as the other elements of the spectrometer, as shown in FIG. 7D-7E. The witness detector will produce a single count rate that is then subtracted from each channel individually, as shown in FIG. 7F. The witness detector, by design, will have the similar sensitivity to the ambient neutron flux as the constituent detectors of the spectrometer (or close enough that a correction factor may be applied) that the correction can be made in real-time, greatly reducing measurement times and detector weight.

Depicted is a schematic of a witness detector placed on the main spectrometer assembly. The count rate reported by the spectrometer will represent solely the background- and room-scattered neutron contribution with properly designed shielding. In order to determine the net count rate from the spectrometer elements, the count rate reported by the witness detector is subtracted from each of their 'total' count rates to produce their 'net' count rate.

Depicted is a schematic of a witness detector placed separately from the main spectrometer assembly. The count rate reported by the spectrometer will represent solely the background- and room-scattered neutron contribution with properly designed shielding. In order to determine the net count rate from the spectrometer elements, the count rate reported by the witness detector is subtracted from each of their 'total' count rates to produce their 'net' count rate

Depicted is a schematic of a possible output spectrum from a single measurement, which is corrected in real time based on the reported count rate of a separate detector element. The raw count rates (reported as 'Total Neutron Measurement' are the count rates reported by each element within the spectrometer. These count rates include line-of-sight, background, and room-scattered neutrons. The witness detector count rate (shown as 'Background Rate') is removed from line-of-sight and therefore only includes contributions from background and room-scattered neutrons. The witness detector count rate is subtracted from the raw spectrometer count rate, producing the 'Resulting Neutron Spectrum' output.

FIG. 8 depicts a block diagram of an active neutron and/or photon source interrogation process, in accordance with one or more embodiments of the present disclosure. The neutron/gamma spectrometer system 100 may also measure unique signatures of isotopes excited by either photons, neutrons, or any other irradiative particle. These signatures can be fission products or a number of other reactions that result in the emission of measurable neutrons or gammas when a target isotope is irradiated. These emissions can be detected by the neutron/gamma spectrometer and resolved in energy, time, and direction to provide a signature unique to the presence of a specific isotope or reaction. The ability of this spectrometer to resolve these emissions in all three available dimensions (energy, time, and direction/spatial) allows this spectrometer to be uniquely suited for use in active interrogation applications. The methods to determine the time, energy, and direction of the incident neutrons are described in other sections. The methods to determine the time and energy of incident gammas are described in other sections. FIG. 8 depicts an overview of pathways for active interrogation. Top to bottom: The process begins with a source of either neutrons or photons and which can be categorized into specific energy ranges due to the nature of interactions of given interrogation particle energies. Then photons or neutrons are detected with the neutron/gamma spectrometer. On the left hand side of FIG. 8, the actual measurable physical properties of the emission particles are shown, as follows: 1) Time correlation: measuring the time of detection relative to either the interrogating source time, or relative to other detection times; 2) Spatial: measuring the trajectory or incident direction of a particle in order to locate the source of the neutrons, or by using multiple spectrometers and/or sources, resolving the emissions with 3D resolution; 3) Particle energy: resolving the energy of the interrogating source or the target isotopes emissions.

In the present disclosure, the methods disclosed may be implemented as sets of instructions or software readable by a device embodied in a tangible media, such as memory. Further, it is understood that the specific order or hierarchy of steps in the methods disclosed are examples of exemplary approaches. Based upon design preferences, it is understood that the specific order or hierarchy of steps in the method can be rearranged while remaining within the disclosed subject matter. The accompanying method claims present elements of the various steps in a sample order, and are not necessarily meant to be limited to the specific order or hierarchy presented.

Those having skill in the art will recognize that the state-of-the-art has progressed to the point where there is little distinction left between hardware and software implementations of aspects of systems; the use of hardware or software is generally (but not always, in that in certain contexts the choice between hardware and software can become significant) a design choice representing cost vs.

efficiency tradeoffs. Those having skill in the art will appreciate that there are various vehicles by which processes and/or systems and/or other technologies described herein can be effected (e.g., hardware, software, and/or firmware), and that the preferred vehicle will vary with the context in which the processes and/or systems and/or other technologies are deployed. For example, if an implementer determines that speed and accuracy are paramount, the implementer may opt for a mainly hardware and/or firmware vehicle; alternatively, if flexibility is paramount, the implementer may opt for a mainly software implementation; or, yet again alternatively, the implementer may opt for some combination of hardware, software, and/or firmware. Hence, there are several possible vehicles by which the processes and/or devices and/or other technologies described herein may be effected, none of which is inherently superior to the other in that any vehicle to be utilized is a choice dependent upon the context in which the vehicle will be deployed and the specific concerns (e.g., speed, flexibility, or predictability) of the implementer, any of which may vary. Those skilled in the art will recognize that optical aspects of implementations will typically employ optically-oriented hardware, software, and or firmware.

The foregoing detailed description has set forth various embodiments of the devices and/or processes via the use of block diagrams, flowcharts, and/or examples. Insofar as such block diagrams, flowcharts, and/or examples contain one or more functions and/or operations, it will be understood by those within the art that each function and/or operation within such block diagrams, flowcharts, or examples can be implemented, individually and/or collectively, by a wide range of hardware, software, firmware, or virtually any combination thereof. In one embodiment, several portions of the subject matter described herein may be implemented via Application Specific Integrated Circuits (ASICs), Field Programmable Gate Arrays (FPGAs), digital signal processors (DSPs), or other integrated formats. However, those skilled in the art will recognize that some aspects of the embodiments disclosed herein, in whole or in part, can be equivalently implemented in integrated circuits, as one or more computer programs running on one or more computers (e.g., as one or more programs running on one or more computer systems), as one or more programs running on one or more processors (e.g., as one or more programs running on one or more microprocessors), as firmware, or as virtually any combination thereof, and that designing the circuitry and/or writing the code for the software and or firmware would be well within the skill of one of skill in the art in light of this disclosure. In addition, those skilled in the art will appreciate that the mechanisms of the subject matter described herein are capable of being distributed as a program product in a variety of forms, and that an illustrative embodiment of the subject matter described herein applies regardless of the particular type of signal bearing medium used to actually carry out the distribution. Examples of a signal bearing medium include, but are not limited to, the following: a recordable type medium such as a floppy disk, a hard disk drive, a Compact Disc (CD), a Digital Video Disk (DVD), a digital tape, a computer memory, etc.; and a transmission type medium such as a digital and/or an analog communication medium (e.g., a fiber optic cable, a waveguide, a wired communications link, a wireless communication link, etc.).

In a general sense, those skilled in the art will recognize that the various aspects described herein which can be implemented, individually and/or collectively, by a wide range of hardware, software, firmware, or any combination

thereof can be viewed as being composed of various types of "electrical circuitry." Consequently, as used herein "electrical circuitry" includes, but is not limited to, electrical circuitry having at least one discrete electrical circuit, electrical circuitry having at least one integrated circuit, electrical circuitry having at least one application specific integrated circuit, electrical circuitry forming a general purpose computing device configured by a computer program (e.g., a general purpose computer configured by a computer program which at least partially carries out processes and/or devices described herein, or a microprocessor configured by a computer program which at least partially carries out processes and/or devices described herein), electrical circuitry forming a memory device (e.g., forms of random access memory), and/or electrical circuitry forming a communications device (e.g., a modem, communications switch, or optical-electrical equipment). Those having skill in the art will recognize that the subject matter described herein may be implemented in an analog or digital fashion or some combination thereof.

Those skilled in the art will recognize that it is common within the art to describe devices and/or processes in the fashion set forth herein, and thereafter use engineering practices to integrate such described devices and/or processes into data processing systems. That is, at least a portion of the devices and/or processes described herein can be integrated into a data processing system via a reasonable amount of experimentation. Those having skill in the art will recognize that a typical data processing system generally includes one or more of a system unit housing, a video display device, a memory such as volatile and non-volatile memory, processors such as microprocessors and digital signal processors, computational entities such as operating systems, drivers, graphical user interfaces, and applications programs, one or more interaction devices, such as a touch pad or screen, and/or control systems including feedback loops and control motors (e.g., feedback for sensing position and/or velocity; control motors for moving and/or adjusting components and/or quantities). A typical data processing system may be implemented utilizing any suitable commercially available components, such as those typically found in data computing/communication and/or network computing/communication systems.

The herein described subject matter sometimes illustrates different components contained within, or connected with, different other components. It is to be understood that such depicted architectures are merely exemplary, and that in fact many other architectures can be implemented which achieve the same functionality. In a conceptual sense, any arrangement of components to achieve the same functionality is effectively "associated" such that the desired functionality is achieved. Hence, any two components herein combined to achieve a particular functionality can be seen as "associated with" each other such that the desired functionality is achieved, irrespective of architectures or intermedial components. Likewise, any two components so associated can also be viewed as being "operably connected", or "operably coupled", to each other to achieve the desired functionality, and any two components capable of being so associated can also be viewed as being "operably couplable", to each other to achieve the desired functionality. Specific examples of operably couplable include but are not limited to physically mateable and/or physically interacting components and/or wirelessly interactable and/or wirelessly interacting components and/or logically interacting and/or logically interactable components.

25

While particular aspects of the present subject matter described herein have been shown and described, it will be apparent to those skilled in the art that, based upon the teachings herein, changes and modifications may be made without departing from the subject matter described herein and its broader aspects and, therefore, the appended claims are to encompass within their scope all such changes and modifications as are within the true spirit and scope of the subject matter described herein.

Furthermore, it is to be understood that the invention is defined by the appended claims. It will be understood by those within the art that, in general, terms used herein, and especially in the appended claims (e.g., bodies of the appended claims) are generally intended as "open" terms (e.g., the term "including" should be interpreted as "including but not limited to," the term "having" should be interpreted as "having at least," the term "includes" should be interpreted as "includes but is not limited to," etc.). It will be further understood by those within the art that if a specific number of an introduced claim recitation is intended, such an intent will be explicitly recited in the claim, and in the absence of such recitation no such intent is present. For example, as an aid to understanding, the following appended claims may contain usage of the introductory phrases "at least one" and "one or more" to introduce claim recitations. However, the use of such phrases should not be construed to imply that the introduction of a claim recitation by the indefinite articles "a" or "an" limits any particular claim containing such introduced claim recitation to inventions containing only one such recitation, even when the same claim includes the introductory phrases "one or more" or "at least one" and indefinite articles such as "a" or "an" (e.g., "a" and/or "an" should typically be interpreted to mean "at least one" or "one or more"); the same holds true for the use of definite articles used to introduce claim recitations. In addition, even if a specific number of an introduced claim recitation is explicitly recited, those skilled in the art will recognize that such recitation should typically be interpreted to mean at least the recited number (e.g., the bare recitation of "two recitations," without other modifiers, typically means at least two recitations, or two or more recitations). Furthermore, in those instances where a convention analogous to "at least one of A, B, and C, etc." is used, in general such a construction is intended in the sense one having skill in the art would understand the convention (e.g., "a system having at least one of A, B, and C" would include but not be limited to systems that have A alone, B alone, C alone, A and B together, A and C together, B and C together, and/or A, B, and C together, etc.). In those instances where a convention analogous to "at least one of A, B, or C, etc." is used, in general such a construction is intended in the sense one having skill in the art would understand the convention (e.g., "a system having at least one of A, B, or C" would include but not be limited to systems that have A alone, B alone, C alone, A and B together, A and C together, B and C together, and/or A, B, and C together, etc.). It will be further understood by those within the art that virtually any disjunctive word and/or phrase presenting two or more alternative terms, whether in the description, claims, or drawings, should be understood to contemplate the possibilities of including one of the terms, either of the terms, or both terms. For example, the phrase "A or B" will be understood to include the possibilities of "A" or "B" or "A and B."

Although particular embodiments of this invention have been illustrated, it is apparent that various modifications and embodiments of the invention may be made by those skilled in the art without departing from the scope and spirit of the

26

foregoing disclosure. Accordingly, the scope of the invention should be limited only by the claims appended hereto.

It is believed that the present disclosure and many of its attendant advantages will be understood by the foregoing description, and it will be apparent that various changes may be made in the form, construction and arrangement of the components without departing from the disclosed subject matter or without sacrificing all of its material advantages. The form described is merely explanatory, and it is the intention of the following claims to encompass and include such changes.

What is claimed is:

1. An apparatus for determination of one or more neutron source characteristics comprising:
 - a neutron detector including:
 - a plurality of neutron detector assemblies, each of the neutron detector assemblies including a plurality of neutron detection devices, wherein the neutron detection devices are configured to detect one or more characteristics of neutrons emanating from one or more neutron sources and impinging on the one or more neutron detection devices;
 - a plurality of discrete moderating elements, wherein each of the discrete moderating elements is disposed proximate to at least one neutron detector assembly, the plurality of neutron detector assemblies and the plurality of discrete moderating elements disposed along a common axis, wherein the discrete moderating elements are configured to moderate the energy of neutrons impinging on one or more of the neutron detector assemblies; and
 - a control system communicatively coupled to each of the neutron detection devices of the plurality of neutron detector assemblies, the control system configured to:
 - receive one or more measured response signals from each of the neutron detection devices, the one or more measured response signals indicative of a detected neutron event; and
 - determine one or more characteristics associated with the one or more neutron sources based on the received one or more measured response signals.
2. The apparatus of claim 1, wherein the control system is configured to:
 - determine a neutron dose from one or more neutron sources based on the received one or more measured response signals.
3. The apparatus of claim 2, wherein the control system is configured to determine a neutron dose from one or more neutron sources via a cross-correlation procedure.
4. The apparatus of claim 1, wherein the control system is configured to:
 - determine a direction to the one or more neutron sources based on the received one or more measured response signals.
5. The apparatus of claim 4, wherein the control system is configured to determine a direction to the one or more neutron sources based on the received one or more measured response signals via a vectorization procedure.
6. The apparatus of claim 4, wherein the control system is configured to determine a direction to the one or more neutron sources based on the received one or more measured response signals via a template-matching procedure.
7. The apparatus of claim 4, wherein the control system is configured to determine a direction to the one or more neutron sources based on the received one or more measured response signals via a volume ratio procedure.

8. The apparatus of claim 1, wherein the control system is configured to:
 identify one or more neutron sources based on the received one or more measured response signals.

9. The apparatus of claim 1, wherein the control system is configured to:
 determine a local configuration of the one or more neutron sources based on the received one or more measured response signals.

10. The apparatus of claim 1, wherein the control system is configured to:
 determine the kinetic energy of one or more neutrons emanating from the one or more neutron sources based on the received one or more measured response signals.

11. The apparatus of claim 1, wherein the control system is configured to:
 generate a detector response library, wherein the detector response library includes one or more sets of data indicative of a response of the neutron detector to one or more known neutron sources;
 acquire one or more measured neutron response signals from each of the neutron detection devices, the one or more measured response signals responsive to a detected neutron event; and
 determine one or more characteristics of neutrons emanating from a measured neutron source by comparing the one or more measured neutron response signals to the detector response library.

12. The apparatus of claim 1, wherein the detected neutron event comprises:
 at least one of a neutron capture event, a neutron-induced fission event, or a neutron scattering event.

13. An apparatus for determination of one or more neutron source characteristics comprising:
 a neutron-photon detector including:
 a plurality of neutron-photon detector assemblies, each of the neutron-photon detector assemblies including a plurality of detection devices, wherein the detection devices are configured to detect one or more characteristics of at least one of neutrons or photons emanating from one or more neutron sources and impinging on one or more of the detection devices;
 a plurality of discrete moderating elements, wherein each of the discrete moderating elements is disposed proximate to at least one neutron-photon detector assembly, the plurality of neutron-photon detector assemblies and the plurality of discrete moderating elements disposed along a common axis, wherein the discrete moderating elements are configured to moderate the energy of neutrons impinging on one or more of the neutron-photon detector assemblies; and
 a control system communicatively coupled to each of the detection devices of the plurality of neutron-photon detector assemblies, the control system configured to:
 receive one or more measured response signals from each of the detection devices, the one or more measured response signals indicative of at least one of a detected neutron event or a detected photon event; and
 determine one or more characteristics of the one or more neutron sources based on the received one or more measured response signals.

14. The apparatus of claim 13, wherein at least some of the detection devices comprise:

one or more neutron-photon detection devices, wherein the neutron-photon detection devices are sensitive to neutrons and photons.

15. The apparatus of claim 13, wherein at least some of the detection devices comprise:
 one or more neutron detection devices.

16. The apparatus of claim 13, wherein at least some of the detection devices comprise:
 one or more photon detection devices.

17. An apparatus for determination of one or more neutron source characteristics comprising:
 a neutron detector including:
 a plurality of neutron detector assemblies, each of the neutron detector assemblies including a plurality of neutron detection devices, wherein the neutron detection devices are configured to detect one or more characteristics of neutrons emanating from one or more sources and impinging on one or more of the neutron detection devices;
 a plurality of discrete moderating elements, wherein each of the discrete moderating elements is disposed proximate to at least one neutron detector assembly, the plurality of neutron detector assemblies and the plurality of discrete moderating elements disposed along a common axis;
 a photon detector disposed at a location remote from the neutron detector; and
 a control system communicatively coupled to each of the neutron detection devices of the plurality of neutron detector assemblies, the control system communicatively coupled to the photon detector, the control system configured to:
 receive one or more measured neutron response signals from each of the neutron detection devices, the one or more measured response signals indicative of at least one detected neutron event;
 receive one or more measured photon response signals from the photon detector indicative of at least one detected photon event;
 determine one or more characteristics of the one or more neutron sources based on the received one or more measured neutron response signals and the received one or more measured photon response signals; and
 perform a measurement fusion process on the one or more neutron response signals and the one or more photon response signals to form a combined response signal.

18. The apparatus of claim 17, wherein control system is further configured to:
 perform a measurement fusion process on the one or more neutron response signals and the one or more photon response signals to form a combined response signal.

19. The apparatus of claim 17, wherein at least some of the neutron detection devices comprise:
 at least one of a gas-based high thermal-neutron detection efficiency detector or a semiconductor-based high thermal-neutron detection efficiency detector.

20. The apparatus of claim 17, wherein the photon detector comprise:
 one or more scintillator-type photon detectors.